



SHANGHAI YONGXING ELECTRONIC SWITCH CO., LTD.



SHANGHAI YONGXING ELECTRONIC



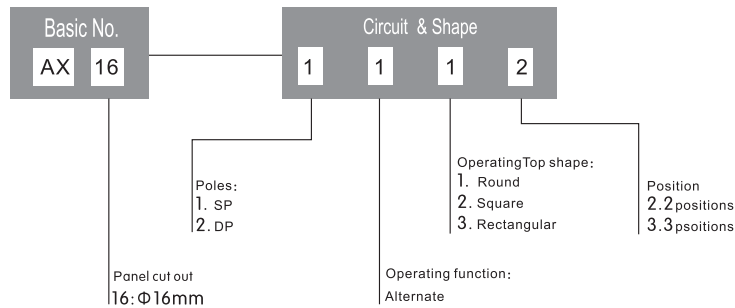
# AX16 Series Rotary Switches



## SPECIFICATION

Max. Rating Current & Voltage(Resistive Load)	3A 250V AC
Contact Resistance	≤50mΩ
Insulation Resistance	≥100MΩ
Dielectric Strength	1,500V
Electronic Life(cycles)	Momentary:50,000 Alternate:25,000
Mechanical Life(cycles)	Momentary:200,000 Alternate:50,000
Operating temperature	-25°C~+55°C
IP code	IP40

## HOW TO ORDER



举例 Example:AX16-1112

## AX16 Diagram of contact

Position			
2 positions			
3positions			

The position of operator is changable:

Taking use of front cover's rotation and lock's position. It can change the position of operator. Every 45° interval, the front cover can be locked for refrain moving itself from installation. Pull the front cover out to deviate from the lock and then move the cover for 45° interval to push it on, Lock the covert at last.



Normal



Brought the cover



Rotation45°

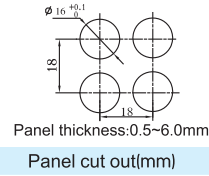
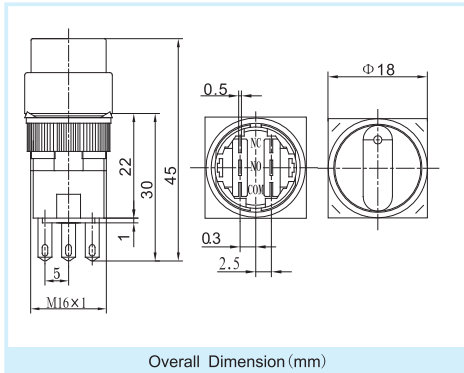


Press the cover

# AX16 Series Rotary Switches

YONG XING  
ELECTRONIC

## AX16 Round



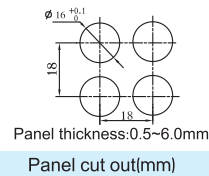
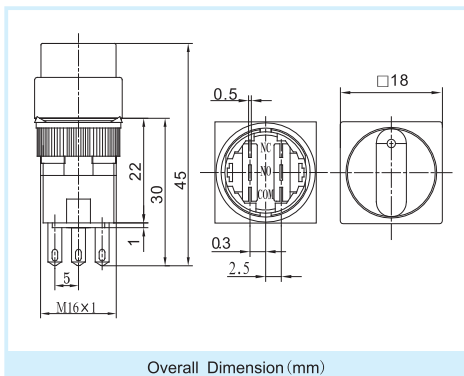
Please refer to the first page  
of the Diagram of contact

Circuit

Poles	Alternate 2P	Alternate 3P
SP	AX16-1112	AX16-1113
DP	AX16-2112	AX16-2113

Model List

## AX16 Square



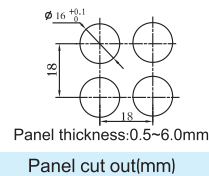
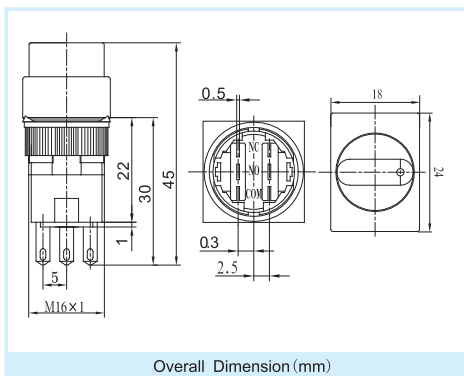
Please refer to the first page  
of the Diagram of contact

Circuit

Poles	Alternate 2P	Alternate 3P
SP	AX16-1122	AX16-1123
DP	AX16-2122	AX16-2123P

Model List

## AX16 Rec.



Please refer to the first page  
of the Diagram of contact

Circuit

Poles	Alternate 2P	Alternate 3P
	AX16-1132	AX16-1133
	AX16-2132	AX16-2133

Model List