

SHANGHAI YONGXING ELECTRONIC SWITCH CO., LTD.



SHANGHAI YONGXING ELECTRONIC

KD2 Series Pushbutton Switch

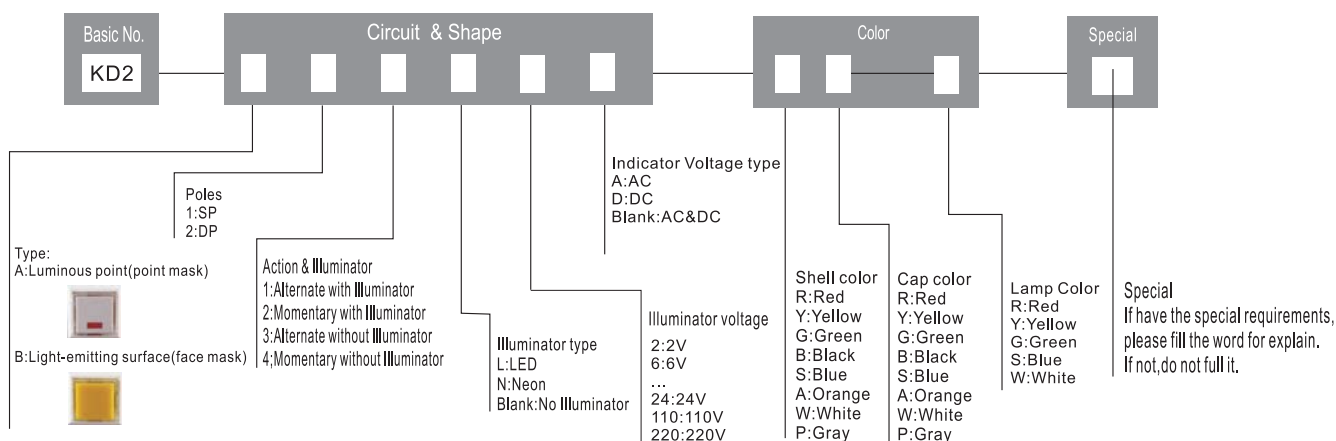
YONG XING
ELECTRONIC



SPECIFICATION

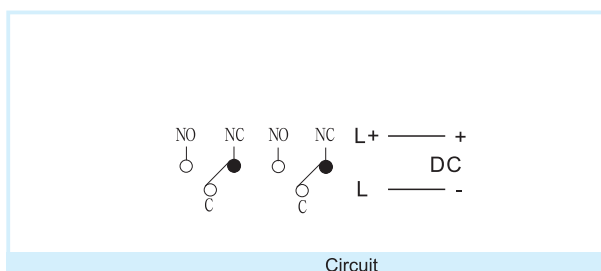
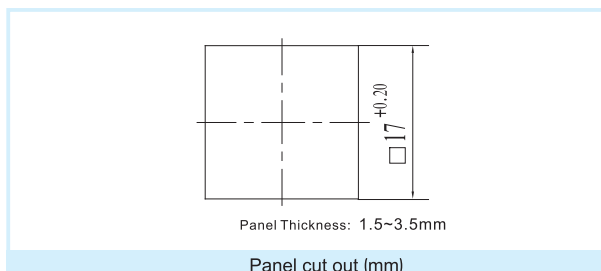
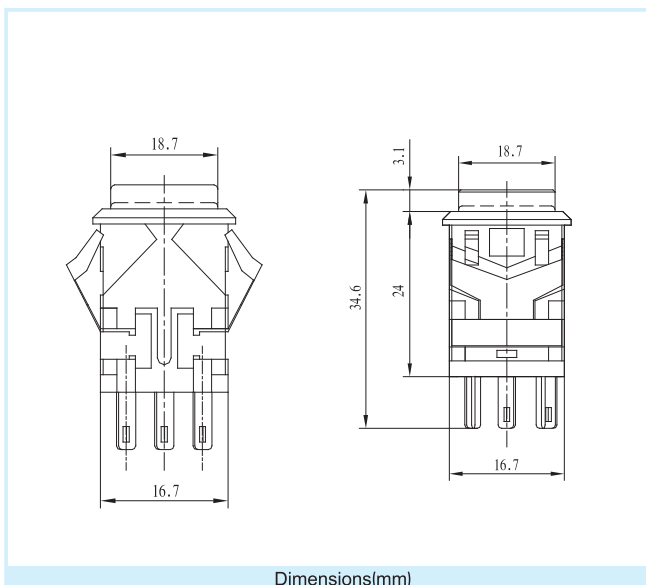
Contact Resistance	≤50mΩ
Insulation Resistance	≥100MΩ
Dielectric Strength	1,500V
Electronic Life(cycles)	10,000
Mechanical Life (cycles)	50,000
Operating temperature	-25°C~+55°C
IP code	IP40
Max. Rating Current & Voltage	
	3A 250V AC

HOW TO ORDER



Example:KD2-A21L2WY

SIZE(mm)



01



KD2 Series Pushbutton Switch

Lighting pieces of performance indicator

■ (LED)

Operating voltage	2V	6V	12V	24V	110V	220V	Life	Equivalent circuit
Current	Less than 15mA			Less than 5mA			About 50,000 hours (but the brightness will be weakened as the life of using plus.)	
LED color	Red Green Blue Yellow Orange							
Cap Color	Red Green Blue Yellow Orange Black White Gray							

■ (Neon)

Operating voltage	110V AC	220V AC
Current	Less than 1mA	Less than 1mA
Neon color	Red Green	
Cap Color	Red Green	

Accessories



Kd2 the socket type for the dedicated button to switch socket, the socket can be used to facilitate the installation and replacement of switch switch, but also eliminates the need to switch the direct welding, in order to extend the service life of switch.

NOTE

- The shell main color is black and white.
- With light switches and other main types of AC-DC universal LED products, the voltage of products for 2V only DC products, the voltage of point LED products only can do the 2V. If you want the high-voltage, can circuit in series with an external resistor divider. Surface lighting more than 6V products (including 6V) more generic products for the AC and DC. If single voltage types require special instructions.
- The special voltage current and color needs to be customized.

KD2 EXAMPLE



KD2-A21L2D-WG-R



KD2-B21-WY



KD2-B21L2D-WR-R



KD2-A21L2D-BB-R



KD2-B21L12-WY-Y

- Note: Due to we couldn't get full information from the appearance, such as voltages, parameters and the switch with or without light, so the full model please refer to models based on the actual needs and the definition and parameters of table selection.