



SHANGHAI YONGXING ELECTRONIC SWITCH CO., LTD.



SHANGHAI YONGXING ELECTRONIC



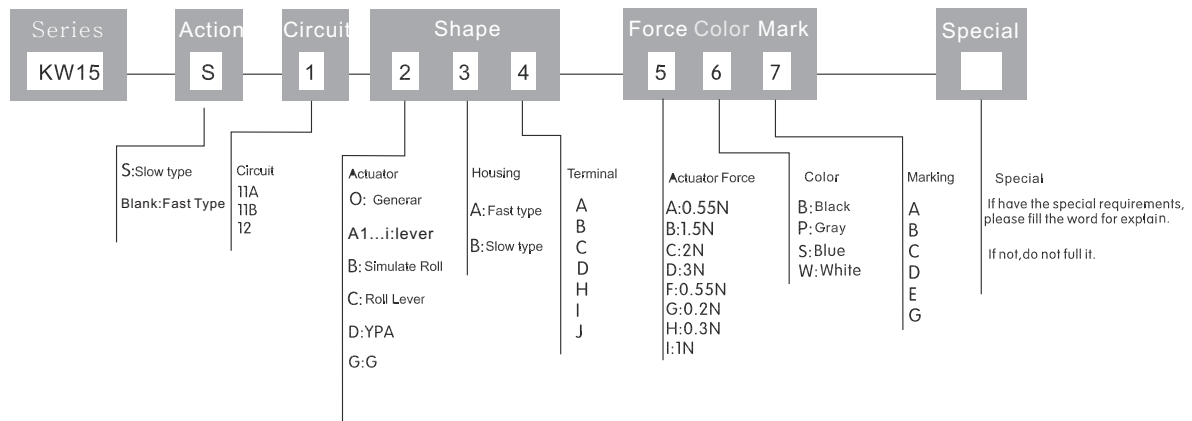
SPECIFICATION

Contact Resistance	≤50mΩ
Insulation Resistance	≥100MΩ
Dielectric Strength	1,500V
Electronic Life(cycles)	50,000
Operating temperature	-25°C~+125°C

Max. Rating Current & Voltage

	16(4)A 250VAC μ T125 5E4
	16(4)A 250V~μT125 1E4 15A 250V~μT125 1E4 10(3)A 250V~μT125 5E4
	16A 125/250VAC T125 5E4 1HP 125VAC T125 1E4 10(4)A 125/250VAC T125 5E4

HOW TO ORDER



1 TERMINAL CODE

Code	A	B	C	D	H	I	J
Diagram							

2 ACTUATOR CODE

Code	Diagram	Description	Code	Diagram	Description	Code	Diagram	Description	Code	Diagram	Description
A1		14mm	A2		28mm	A3		32mm	A4		52mm
A5		24mm	B		26.5mm	C1		12.5mm	C2		26.5mm
D		53mm	E		65.4mm	D1		68mm	D2		96mm
F		18.9mm	G		64.4mm						



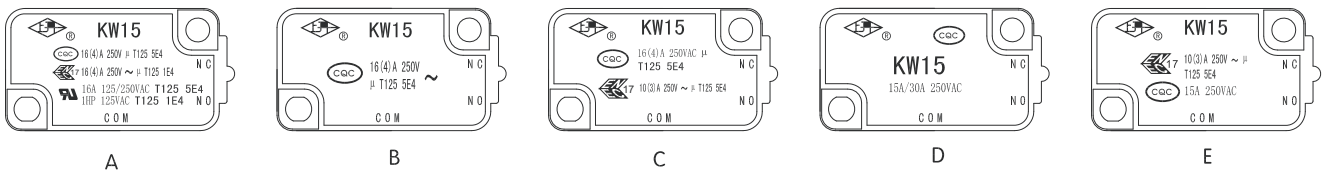
3 HOUSING CODE

Code	Diagram	Panel cut out	Match the project selection			
			Actuator	Circuit	Terminal	Marking
A			A1...Ai B/ C1...Ci/	11A/ 11B/ 12	A/ B/ H/ I	A/ B/ D
B				11B/	J/ C	C

4 CIRCUIT CODE

Code	Circuit	Description	Code	Circuit	Description
11A		SP-ST-NO	11B		SP-ST-NC
12		SP-DT			SP-ST-NC

5 Marking



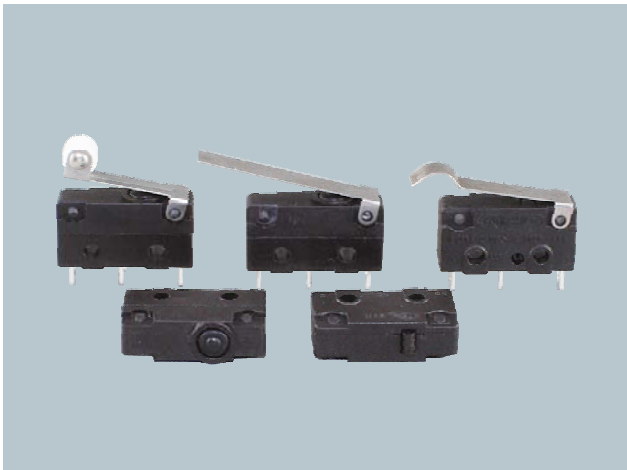
EXAMPLE



KW15-12-OAA-BBB



KW15-11A-C2AA-BBB

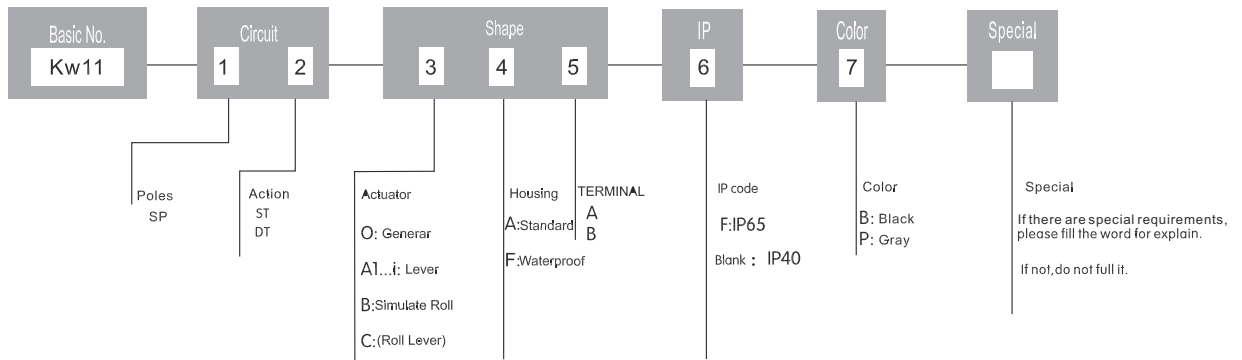


SPECIFICATION

Contact Resistance	≤50mΩ
Insulation Resistance	≥100MΩ
Dielectric Strength	1,500V
Electronic Life(cycles)	50,000
Operating temperature	-25°C~+125°C
Max. Rating Current & Voltage	
5(1)A 250VAC T105 μ 5E4 3(3)A 250VAC T105 μ 5E4	



型号命名规则 HOW TO ORDER



3 ACTUATOR CODE

Code	Diagram	Description	Code	Diagram	Description	Code	Diagram	Description	Code	Diagram	Description
A1		17.5mm	A2		22.5mm	B		19mm	C		15mm

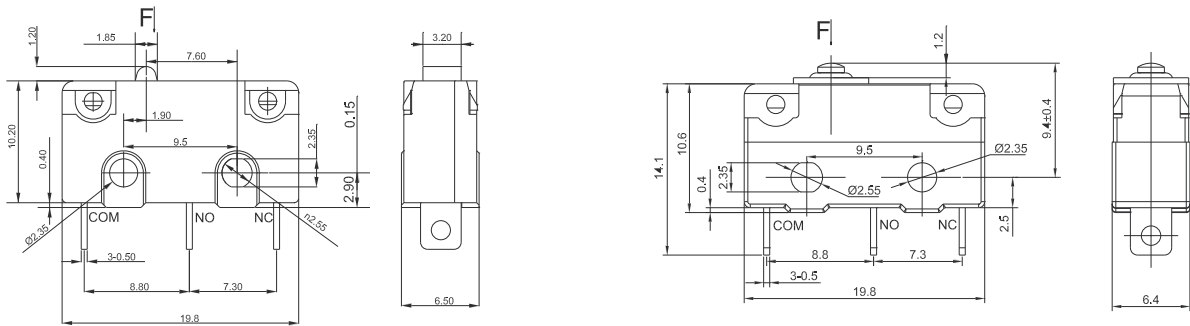
4 HOUSING CODE

Code	Diagram	Panel cut out	Match the project selection		
			ACTUATOR	Circuit	Terminal
A			A1...Ai B/ C	11(SP-ST) 12(SP-DT)	A/ B
F					

5 TERMINATION CODE

Code	Diagram
A	
B	

Kw11



EXAMPLE



KW11-12-OFA-F-B



KW11-12-CFA-F-B



KW11-12-BFA-F-B



KW11-12-A1FA-F-B



KW11-12-A2FA-F-B



KW11-12-OAA-B



KW11-12-CAA-B



KW11-12-BAA-B



KW11-12-A1AA-B



KW11-12-A2AA-B