



SHANGHAI YONGXING ELECTRONIC SWITCH CO., LTD.



SHANGHAI YONGXING ELECTRONIC



YongXing Terminal Blocks

CONTENTS

YA	NO.	YA321-500	YA321-100	YA331-500M	YA331-100M		
	Photo						
	Pitch.	5.00mm	10.00mm	5.00mm	10.00mm		
	Poles.	2 ~ 27poles	2 ~ 27poles	2 ~ 3poles	2 ~ 3poles		
	Approval.						
	Rating.	10Amp AC300V	10Amp AC300V	10Amp AC300V	10Amp AC300V		
Page.	10	10	11	11			

YB	NO.	YB312-500M	YB312-508M	YB312-762M	YB322-500M	YB322-508M	YB332V-350M
	Photo						
	Pitch.	5.00mm	5.08mm	7.62mm	5.00mm	5.08mm	3.50mm
	Poles.	2 ~ 3poles	2 ~ 3poles	2 ~ 3poles	2 ~ 3poles	2 ~ 3poles	2 ~ 3poles
	Approval.						
	Rating.	16Amp AC300V	16Amp AC300V	16Amp AC300V	16Amp AC300V	16Amp AC300V	10Amp AC300V
Page.	12	12	12	12	12	13	

YB332A-381M	YB332B-381M	YB362-381M	YB362-500M	YB362-508M	YB372-500M	YB372-508M
3.81mm	3.81mm	3.81mm	5.00mm	5.08mm	5.00mm	5.08mm
2 ~ 3poles	2 ~ 3poles	2 ~ 3poles	2 ~ 3poles	2 ~ 3poles	2 ~ 3poles	2 ~ 3poles
10Amp AC300V	10Amp AC300V	10Amp AC300V	16Amp AC300V	16Amp AC300V	16Amp AC300V	16Amp AC300V
13	14	14	15	15	15	15

YB422A-508M	YB422B-508M	YB432-508M	YB522-500	YB522-508	YB612-508M	YB622-508M
5.08mm	5.08mm	5.08mm	5.00mm	5.08mm	5.08mm	5.08mm
2 ~ 3poles	2 ~ 3poles	2 ~ 3poles	2 ~ 6poles	2 ~ 6poles	2 ~ 3poles	2 ~ 3poles
16Amp AC300V	16Amp AC300V	16Amp AC300V	16Amp AC300V	16Amp AC300V	16Amp AC300V	16Amp AC300V
16	16	17	17	17	18	18



YongXing Terminal Blocks

YB912-635M	YB912-762M	YB912-952M				
6.35mm	7.62mm	9.52mm				
2 ~ 3poles	2 ~ 3poles	2 ~ 3poles				
30Amp AC300V	30Amp AC300V	30Amp AC300V				
19	19	20				

YC	NO.	YC420-350	YC420-381	YC421-350	YC421-381	YC060-350	YC060-381
	Photo						
	Pitch.	3.50mm	3.81mm	3.50mm	3.81mm	3.50mm	3.81mm
	Poles.	2 ~ 24poles	2 ~ 24poles	2 ~ 24poles	2 ~ 24poles	2 ~ 24poles	2 ~ 24poles
	Approval.						
	Rating.	10Amp AC300V	10Amp AC300V	10Amp AC300V	10Amp AC300V	10Amp AC300V	10Amp AC300V
	Page.	21	21	21	21	22	22

YC061-350	YC061-381	YC070-350	YC070-381	YC071-350	YC071-381	YC100-500
3.50mm	3.81mm	3.50mm	3.81mm	3.50mm	3.81mm	5.00mm
2 ~ 24poles	2 ~ 24poles	2 ~ 24poles	2 ~ 24poles	2 ~ 24poles	2 ~ 24poles	2 ~ 24poles
10Amp AC300V	10Amp AC300V	10Amp AC300V	10Amp AC300V	10Amp AC300V	10Amp AC300V	16Amp AC300V
22	22	23	23	23	23	24

YC100-508	YC101-500	YC101-508	YC010-500	YC010-508	YC011-500	YC011-508
5.08mm	5.00mm	5.08mm	5.00mm	5.08mm	5.00mm	5.08mm
2 ~ 24poles	2 ~ 24poles	2 ~ 24poles	2 ~ 24poles	2 ~ 24poles	2 ~ 24poles	2 ~ 24poles
16Amp AC300V	16Amp AC300V	16Amp AC300V	16Amp AC300V	16Amp AC300V	16Amp AC300V	16Amp AC300V
24	24	24	25	25	25	25



YongXing Terminal Blocks

YC020-500	YC020-508	YC021-500	YC021-508	YC030-508	YC031-508	YC040-508
5.00mm	5.08mm	5.00mm	5.08mm	5.08mm	5.08mm	5.08mm
2 ~ 24poles	2 ~ 24poles	2 ~ 24poles	2 ~ 24poles	2 ~ 24poles	2 ~ 24poles	2 ~ 24poles
16Amp AC300V	16Amp AC300V	16Amp AC300V	16Amp AC300V	16Amp AC300V	16Amp AC300V	16Amp AC300V
26	26	26	26	27	27	28

YC041-508	YC050-508	YC051-508				
5.08mm	5.08mm	5.08mm				
2 ~ 24poles	2 ~ 24poles	2 ~ 24poles				
16Amp AC300V	16Amp AC300V	16Amp AC300V				
28	29	29				

NO.	YE010-500	YE010-508	YE020-500	YE020-508	YE030-500	YE030-508
Photo						
Pitch.	5.00mm	5.08mm	5.00mm	5.08mm	5.00mm	5.08mm
Poles.	2 ~ 24poles	2 ~ 24poles	2 ~ 24poles	2 ~ 24poles	2 ~ 24poles	2 ~ 24poles
Approval.						
Rating.	16Amp AC300V	16Amp AC300V	16Amp AC300V	16Amp AC300V	16Amp AC300V	16Amp AC300V
Page.	30	30	30	30	31	31

YE040-500	YE040-508	YE050-500	YE050-508	YE060-500	YE060-508	YE430-350
5.00mm	5.08mm	5.00mm	5.08mm	5.00mm	5.08mm	3.50mm
2 ~ 24poles	2 ~ 24poles	2 ~ 24poles	2 ~ 24poles	2 ~ 24poles	2 ~ 24poles	2 ~ 24poles
16Amp AC300V	16Amp AC300V	16Amp AC300V	16Amp AC300V	16Amp AC300V	16Amp AC300V	12Amp AC300V
31	31	32	32	32	32	33



YongXing Terminal Blocks

YE430-381	YE440-350	YE440-381	YE450-350	YE450-381	YE460-350	YE460-381
3.81mm	3.50mm	3.81mm	3.50mm	3.81mm	3.50mm	3.81mm
2 ~ 24poles	2 ~ 24poles	2 ~ 24poles	2 ~ 24poles	2 ~ 24poles	2 ~ 24poles	2 ~ 24poles
12Amp AC300V	12Amp AC300V	12Amp AC300V	12Amp AC300V	12Amp AC300V	12Amp AC300V	12Amp AC300V
33	33	33	34	34	34	34

YE110-500M	YE110-508M	YE120-500M	YE120-508M	YE130-500	YE130-508	YE13L-500M
5.00mm	5.08mm	5.00mm	5.08mm	5.00mm	5.08mm	5.00mm
2 ~ 3poles	2 ~ 3poles	2 ~ 3poles	2 ~ 3poles	2 ~ 24poles	2 ~ 24poles	2 ~ 3poles
16Amp AC300V	16Amp AC300V	16Amp AC300V	16Amp AC300V	16Amp AC300V	16Amp AC300V	16Amp AC300V
35	35	35	35	36	36	36

YE13L-508M	YE13R-500M	YE13R-508M	YE140-500	YE140-508	YE14L-500M	YE14L-508M
5.08mm	5.00mm	5.08mm	5.00mm	5.08mm	5.00mm	5.08mm
2 ~ 3poles	2 ~ 3poles	2 ~ 3poles	2 ~ 24poles	2 ~ 24poles	2 ~ 3poles	2 ~ 3poles
16Amp AC300V	16Amp AC300V	16Amp AC300V	16Amp AC300V	16Amp AC300V	16Amp AC300V	16Amp AC300V
36	37	37	37	37	38	38

YE14R-500M	YE14R-508M	YE150-500	YE150-508	YE160-500	YE160-508	YE210-500M
5.00mm	5.08mm	5.00mm	5.08mm	5.00mm	5.08mm	5.00mm
2 ~ 3poles	2 ~ 3poles	2 ~ 24poles	2 ~ 24poles	2 ~ 24poles	2 ~ 24poles	2 ~ 3poles
16Amp AC300V	16Amp AC300V	16Amp AC300V	16Amp AC300V	16Amp AC300V	16Amp AC300V	16Amp AC300V
38	38	39	39	39	39	40



YongXing Terminal Blocks

YE210-508M	YE220-500M	YE220-508M	YE230-500	YE230-508	YE23L-500M	YE23L-508M
5.08mm	5.00mm	5.08mm	5.00mm	5.08mm	5.00mm	5.08mm
2 ~ 3poles	2 ~ 3poles	2 ~ 3poles	2 ~ 24poles	2 ~ 24poles	2 ~ 3poles	2 ~ 3poles
16Amp AC300V	16Amp AC300V	16Amp AC300V	16Amp AC300V	16Amp AC300V	16Amp AC300V	16Amp AC300V
40	40	40	41	41	41	41

YE23R-500M	YE23R-508M	YE240-500	YE240-508	YE24L-500M	YE24L-508M	YE24R-500M
5.00mm	5.08mm	5.00mm	5.08mm	5.00mm	5.08mm	5.00mm
2 ~ 3poles	2 ~ 3poles	2 ~ 24poles	2 ~ 24poles	2 ~ 3poles	2 ~ 3poles	2 ~ 3poles
16Amp AC300V	16Amp AC300V	16Amp AC300V	16Amp AC300V	16Amp AC300V	16Amp AC300V	16Amp AC300V
42	42	42	42	43	43	43

YE24R-508M	YE250-500	YE250-508	YE260-500	YE260-508	YE330-508	YE350-508
5.08mm	5.00mm	5.08mm	5.00mm	5.08mm	5.08mm	5.08mm
2 ~ 3poles	2 ~ 24poles	2 ~ 24poles	2 ~ 24poles	2 ~ 24poles	2 ~ 24poles	2 ~ 24poles
16Amp AC300V	16Amp AC300V	16Amp AC300V	16Amp AC300V	16Amp AC300V	16Amp AC300V	16Amp AC300V
43	44	44	44	44	45	45

YE370-508	YE510-500	YE510-508	YE530-500	YE530-508	YE630-508	YE650-508
5.08mm	5.00mm	5.08mm	5.00mm	5.08mm	5.08mm	5.08mm
2 ~ 24poles	2 ~ 24poles	2 ~ 24poles	2 ~ 24poles	2 ~ 24poles	2 ~ 24poles	2 ~ 24poles
16Amp AC300V	16Amp AC300V	16Amp AC300V	16Amp AC300V	16Amp AC300V	16Amp AC300V	16Amp AC300V
46	46	46	47	47	47	48



YongXing Terminal Blocks

YE350KJ-508	YE860-508	CT-508	KT-508			
5.08mm	5.08mm					
2 ~ 24poles	2 ~ 24poles					
	16Amp AC300V					
48	49	49	49			

NO.	YX122-508	YX122-762	YX122-016	YX222-508	YX222-762	YX222-016
Photo						
Pitch.	5.08mm	7.62mm	10.16mm	5.08mm	7.62mm	10.16mm
Poles.	2 ~ 16poles	2 ~ 16poles	2 ~ 16poles	2 ~ 16poles	2 ~ 16poles	2 ~ 16poles
Approval.						
Rating.	10Amp AC300V	10Amp AC300V	10Amp AC300V	10Amp AC300V	10Amp AC300V	10Amp AC300V
Page.	50	50	51	51	52	52

YX

Care clamp: Steel Ni plated						
NO.	YB310-500M	YB310-508M	YB310-762M	YB320-500M	YB320-508M	YB360-500M
Photo						
Pitch.	5.00mm	5.08mm	7.62mm	5.00mm	5.08mm	5.00mm
Poles.	2 ~ 3poles	2 ~ 3poles	2 ~ 3poles	2 ~ 3poles	2 ~ 3poles	2 ~ 3poles
Approval.						
Rating.	16Amp AC300V	16Amp AC300V	16Amp AC300V	16Amp AC300V	16Amp AC300V	16Amp AC300V
Page.	12	12	12	12	12	15

STEEL



YongXing Terminal Blocks

YB360-508M	YB370-500M	YB370-508M	YB420A-508M	YB420B-508M	YB430-508M	YB520-500M
5.08mm	5.00mm	5.08mm	5.08mm	5.08mm	5.08mm	5.00mm
2 ~ 3poles	2 ~ 3poles	2 ~ 3poles	2 ~ 3poles	2 ~ 3poles	2 ~ 3poles	2 ~ 6poles
16Amp AC300V	16Amp AC300V	16Amp AC300V	16Amp AC300V	16Amp AC300V	16Amp AC300V	16Amp AC300V
15	15	15	16	16	17	17

YB520-508M	YB610-508M	YB620-508M	YB910-635M	YB910-762M	YB910-952M	YC100S-500
5.08mm	5.08mm	5.08mm	6.35mm	7.62mm	9.52mm	5.00mm
2 ~ 6poles	2 ~ 3poles	2 ~ 3poles	2 ~ 3poles	2 ~ 3poles	2 ~ 3poles	2 ~ 24poles
16Amp AC300V	16Amp AC300V	16Amp AC300V	30Amp AC300V	30Amp AC300V	30Amp AC300V	16Amp AC300V
17	18	18	19	19	20	24

YC100S-508	YC101S-500	YC101S-508	YC010S-500	YC010S-508	YC011S-500	YC011S-508
5.08mm	5.00mm	5.08mm	5.00mm	5.08mm	5.00mm	5.08mm
2 ~ 24poles	2 ~ 24poles	2 ~ 24poles	2 ~ 24poles	2 ~ 24poles	2 ~ 24poles	2 ~ 24poles
16Amp AC300V	16Amp AC300V	16Amp AC300V	16Amp AC300V	16Amp AC300V	16Amp AC300V	16Amp AC300V
24	24	24	25	25	25	25

YC020S-500	YC020S-508	YC021S-500	YC021S-508			
5.00mm	5.08mm	5.00mm	5.08mm			
2 ~ 24poles	2 ~ 24poles	2 ~ 24poles	2 ~ 24poles			
16Amp AC300V	16Amp AC300V	16Amp AC300V	16Amp AC300V			
26	26	26	26			



YongXing Terminal Blocks

HOW TO ORDER

Screw Type PCB Terminal (Shrapnel Line Pressing)

Y A

Yongxing Terminal | Pressing Type

XX No.	X Contact Shape	XXX Pitch	XX No. of pole	X Color	X X X Customer Request
-----------	--------------------	--------------	-------------------	------------	---------------------------

01 02 03 ..	Square feet/Brass, Tin Plated /90° ...1 Round feet/Brass, Tin Plated /90° ...2 Square feet/Brass, Tin Plated /180° ...3 Round feet/Brass, Tin Plated /180° ...4	3.50mm ... 350 3.81mm ... 381 5.00mm ... 500 7.50mm ... 750 10.00mm ... 100	Module Type/2P ... M2 Module Type/3P ... M2 Whole Type/2P ... 02 Whole Type/3P ... 03 Whole Type/27P ... 27	1 Grey 2 Blue 3 Black 4 Green 5 Orange 6 Red 7 Yellow 8 White	
----------------------	--	---	---	--	--



YA331 - 500M - 05 P - 4

Screw Type PCB Terminal (Cage Clamp Pressing)

Y B

Yongxing Terminal | Pressing Type

XX No.	X Cage clamp	XXX P Pitch	XX No. of pole	X Color	X X X Customer Request
-----------	-----------------	----------------	-------------------	------------	---------------------------

01 02 03 ..	M2.5Steel, Zinc Plated... 0 Brass, Ni Plated ... 2	3.50mm ... 350 3.81mm ... 381 5.00mm ... 500 5.08mm ... 508 6.35mm ... 635 7.50mm ... 750 7.62mm ... 762 9.52mm ... 952 10.00mm ... 100 10.16mm ... 016	Module Type/2P ... M2 Module Type/3P ... M2 Whole Type/2P ... 02 Whole Type/3P ... 03 Whole Type/24P ... 24	1 Grey 2 Blue 3 Black 4 Green 5 Orange 6 Red 7 Yellow 8 White	
----------------------	---	--	---	--	--



YB322 - 508 - 12 P - 4

Insertion Type Terminal (Plug)

Y C

Yongxing Terminal | Pressing Type

XX No.	X Flange	S Cage Clamp material	XXX Pitch	XX No. of pole	X Color	X X X Customer Request
-----------	-------------	--------------------------	--------------	-------------------	------------	---------------------------

01 02 03 ..	No Flange ... 0 With Flange ... 1	Iron ... Copper ... (NO)	3.50mm ... 350 3.81mm ... 381 5.00mm ... 500 5.08mm ... 508 6.35mm ... 635 7.50mm ... 750 7.62mm ... 762 9.52mm ... 952 10.00mm ... 100 10.16mm ... 016	Whole Type/2P ... 02 Whole Type/3P ... 03 Whole Type/24P ... 24	1 Grey 2 Blue 3 Black 4 Green 5 Orange 6 Red 7 Yellow 8 White	
----------------------	--------------------------------------	-----------------------------	--	--	--	--



YC101 - 508 - 11 P - 4



YongXing Terminal Blocks

HOW TO ORDER

Screw Type PCB Terminal (Cage Clamp Pressing)

Y E	Yongxing Terminal	Pressing Type	<table border="1"> <tr> <td>X</td> <td>X</td> <td>X</td> <td>XXX</td> <td>XX</td> <td>X</td> </tr> <tr> <td>No.</td> <td>Contact Shape</td> <td>Exterior</td> <td>Pitch</td> <td>No. of pole</td> <td>Color</td> </tr> </table>					X	X	X	XXX	XX	X	No.	Contact Shape	Exterior	Pitch	No. of pole	Color	<table border="1"> <tr> <td>X</td> <td>X</td> <td>X</td> </tr> <tr> <td colspan="3">Customer Request</td> </tr> </table>			X	X	X	Customer Request		
			X	X	X	XXX	XX	X																				
No.	Contact Shape	Exterior	Pitch	No. of pole	Color																							
X	X	X																										
Customer Request																												
1 2 3 ..	Open/Curved needle... 1 Open/Straight needle... 2 Close/Curved needle... 3 Close/Straight needle... 4 Flange/Curved needle... 5 Flange/Straight needle... 6	Whole... 0 Left... L Right... R	3. 50mm ... 350 3. 81mm ... 381 5. 00mm ... 500 5. 08mm ... 508 6. 35mm ... 635 7. 50mm ... 750 7. 62mm ... 762 9. 52mm ... 952 10. 00mm ... 100 10. 16mm ... 016	Module Type/2P ... M2 Module Type/3P ... M2 Whole Type/2P ... 02 Whole Type/3P ... 03 Whole Type/24P ... 24	1 Grey 2 Blue 3 Black 4 Green 5 Orange 6 Red 7 Yellow 8 White																							



YE010 - 508 - 08 P - 4

Insertion Type Terminal (Plug)

Y X	Yongxing Terminal	Pressing Type	<table border="1"> <tr> <td>XX</td> <td>X</td> <td>XXX</td> <td>XX</td> <td>X</td> </tr> <tr> <td>No.</td> <td>Contact Shape</td> <td>Pitch</td> <td>No. of pole</td> <td>Color</td> </tr> </table>					XX	X	XXX	XX	X	No.	Contact Shape	Pitch	No. of pole	Color	<table border="1"> <tr> <td>X</td> <td>X</td> <td>X</td> </tr> <tr> <td colspan="3">Customer Request</td> </tr> </table>			X	X	X	Customer Request		
			XX	X	XXX	XX	X																			
No.	Contact Shape	Pitch	No. of pole	Color																						
X	X	X																								
Customer Request																										
01 02 03 ..	Square Needle / Brass, Ni Plated ... 2		3. 50mm ... 350 5. 00mm ... 500 5. 08mm ... 508 7. 62mm ... 762 10. 16mm ... 016	Whole Type/2P ... 02 Whole Type/3P ... 03 Whole Type/24P ... 24	1 Grey 2 Blue 3 Black 4 Green 5 Orange 6 Red 7 Yellow 8 White																					



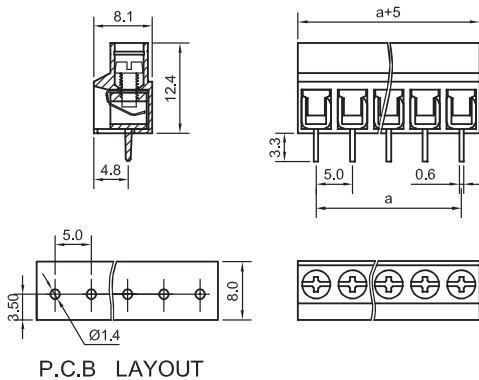
YX222 - 508 - 06 P - 4



YongXing Terminal Blocks



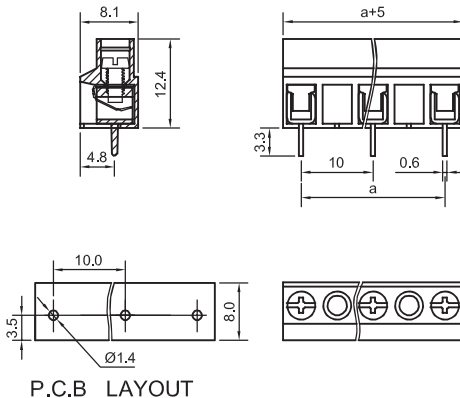
YA321-500



P.C.B LAYOUT



YA321-100



P.C.B LAYOUT

Pitch:5.00mm

Poles: 2~27 poles

Approval:

Material

Cage clamp : Brass,Tin Plated
 Wire protector : Phosphor bronze Ni plated
 Housing : PA66, UL94V-0
 Screws : M2.5steel Zinc plated
 Color : Green

Environmental

Operation temperature : -40° ~+150°
 Short-time temperature : +250° for 5 sec

Electrical

Rated voltage : 300V
 Rated current : 10A
 Contact resistance : 20m Ω
 Insulation resistance : >5000MΩ DC500V
 Withstanding voltage : AC2000V/1Min
 Wire range : 26-14AWG 1.5mm²
 Strip length : 6-7mm

Pitch:10.0mm

Poles: 2~27 poles

Approval:

Material

Cage clamp : Brass,Tin Plated
 Wire protector : Phosphor bronze Ni plated
 Housing : PA66, UL94V-0
 Screws : M2.5steel Zinc plated
 Color : Green

Environmental

Operation temperature : -40° ~+150°
 Short-time temperature : +250° for 5 sec

Electrical

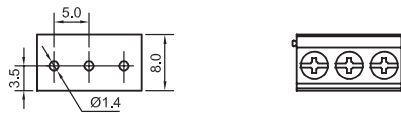
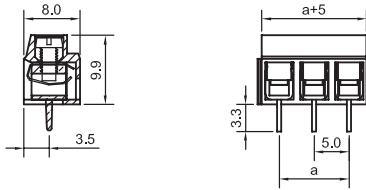
Rated voltage : 300V
 Rated current : 10A
 Contact resistance : 20m Ω
 Insulation resistance : >5000MΩ DC500V
 Withstanding voltage : AC2000V/1Min
 Wire range : 26-14AWG 1.5mm²
 Strip length : 6-7mm



YongXing Terminal Blocks



YA331-500M



P.C.B LAYOUT

Pitch:5.00mm
Poles: 2~3 poles
Approval:

Material

Care clamp : Brass,Tin Plated
Wire protector : Phosphor bronze Ni plated
Housing : PA66, UL94V-0
Screws : M2.5steel Zinc plated
Color : Green

Environmental

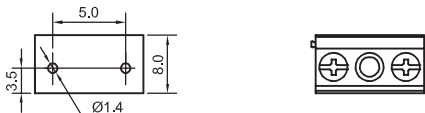
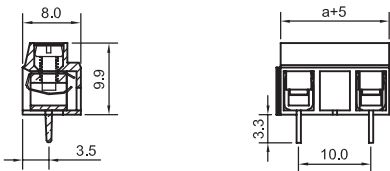
Operation temperature : -40° ~+150°
Short-time temperature : +250° for 5 sec

Electrical

Rated voltage : 300V
Rated current : 10A
Contact resistance : 20m Ω
Insulation resistance : >5000MΩ DC500V
Withstanding voltage : AC2000V/1Min
Wire range : 26~14AWG 1.5mm²
Strip length : 6~7mm



YA331-100M



P.C.B LAYOUT

Pitch:10.0mm
Poles: 2~3 poles
Approval:

Material

Care clamp : Brass,Tin Plated
Wire protector : Phosphor bronze Ni plated
Housing : PA66, UL94V-0
Screws : M2.5steel Zinc plated
Color : Green

Environmental

Operation temperature : -40° ~+150°
Short-time temperature : +250° for 5 sec

Electrical

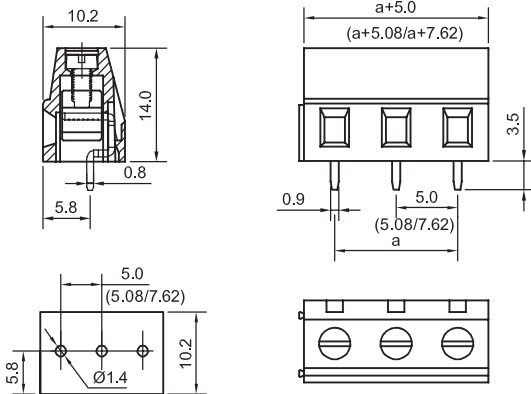
Rated voltage : 300V
Rated current : 10A
Contact resistance : 20m Ω
Insulation resistance : >5000MΩ DC500V
Withstanding voltage : AC2000V/1Min
Wire range : 26~14AWG 1.5mm²
Strip length : 6~7mm



YongXing Terminal Blocks



YB312-500M
YB312-508M/YB312-762M



P.C.B LAYOUT

Pitch:5.00mm;5.08mm;7.62mm

Poles: 2~3 poles

Approval:

Material

Care clamp : Brass, Ni Plated
Contact : Brass, Tin Plated
Housing : PA66, UL94V-0
Screws : M2.5 steel Zinc plated
Color : Green

Environmental

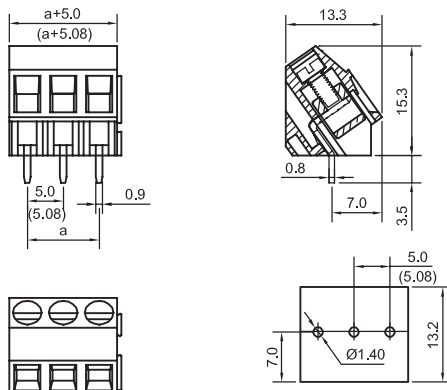
Operation temperature : -40° ~ $+150^{\circ}$
Short-time temperature : $+250^{\circ}$ for 5 sec

Electrical

Rated voltage : 300V
Rated current : 16A
Contact resistance : 20m Ω
Insulation resistance : $>5000M\Omega$ DC500V
Withstanding voltage : AC2000V/1Min
Wire range : 24~12AWG 2.5mm²
Strip length : 6~7mm



YB322-500M/YB322-508M



P.C.B LAYOUT

Pitch:5.00mm;5.08mm

Poles: 2~3 poles

Approval:

Material

Care clamp : Brass, Ni Plated
Contact : Brass, Tin Plated
Housing : PA66, UL94V-0
Screws : M2.5 steel Zinc plated
Color : Green

Environmental

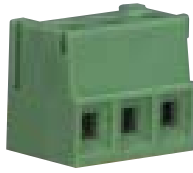
Operation temperature : -40° ~ $+150^{\circ}$
Short-time temperature : $+250^{\circ}$ for 5 sec

Electrical

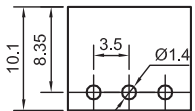
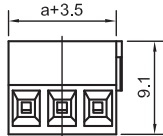
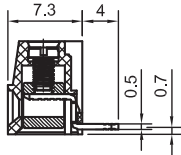
Rated voltage : 300V
Rated current : 16A
Contact resistance : 20m Ω
Insulation resistance : $>5000M\Omega$ DC500V
Withstanding voltage : AC2000V/1Min
Wire range : 24~12AWG 2.5mm²
Strip length : 6~7mm



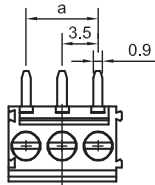
YongXing Terminal Blocks



YB332V-350M



P.C.B LAYOUT



Pitch:3.50mm
Poles: 2~3 poles
Approval:

Material

Care clamp : Brass, Ni Plated
Contact : Brass, Tin Plated
Housing : PA66, UL94V-0
Screws : M2.0 steel Zinc plated
Color : Green

Environmental

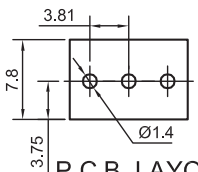
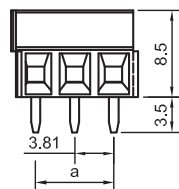
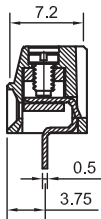
Operation temperature : -40° ~+150°
Short-time temperature : +250° for 5 sec

Electrical

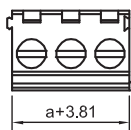
Rated voltage : 300V
Rated current : 10A
Contact resistance : 20m Ω
Insulation resistance : >5000MΩ DC500V
Withstanding voltage : AC2000V/1Min
Wire range : 28-14AWG 1.5mm²
Strip length : 6-7mm



YB332A-381M



P.C.B LAYOUT



Pitch:3.81mm
Poles: 2~3 poles
Approval:

Material

Care clamp : Brass, Ni Plated
Contact : Brass, Tin Plated
Housing : PA66, UL94V-0
Screws : M2.0 steel Zinc plated
Color : Green

Environmental

Operation temperature : -40° ~+150°
Short-time temperature : +250° for 5 sec

Electrical

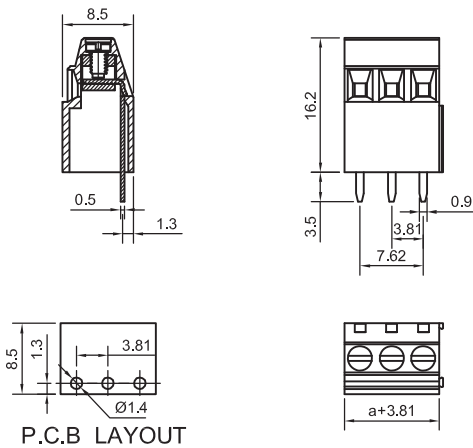
Rated voltage : 300V
Rated current : 10A
Contact resistance : 20m Ω
Insulation resistance : >5000MΩ DC500V
Withstanding voltage : AC2000V/1Min
Wire range : 28-14AWG 1.5mm²
Strip length : 6-7mm



YongXing Terminal Blocks



YB332B-381M



Pitch: 3.81mm
 Poles: 2~3 poles
 Approval:

Material

Care clamp : Brass, Ni Plated
 Contact : Brass, Tin Plated
 Housing : PA66, UL94V-0
 Screws : M2.0 steel Zinc plated
 Color : Green

Environmental

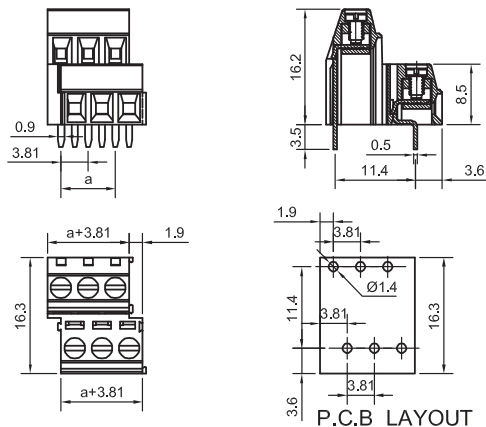
Operation temperature : -40° ~ $+150^{\circ}$
 Short-time temperature : $+250^{\circ}$ for 5 sec

Electrical

Rated voltage : 300V
 Rated current : 10A
 Contact resistance : $20m \Omega$
 Insulation resistance : $>5000M \Omega$ DC500V
 Withstanding voltage : AC2000V/1Min
 Wire range : 28-14AWG 1.5mm²
 Strip length : 6-7mm



YB362-381M



Pitch: 3.81mm
 Poles: 2~3 poles
 Approval:

Material

Care clamp : Brass, Ni Plated
 Contact : Brass, Tin Plated
 Housing : PA66, UL94V-0
 Screws : M2.0 steel Zinc plated
 Color : Green

Environmental

Operation temperature : -40° ~ $+150^{\circ}$
 Short-time temperature : $+250^{\circ}$ for 5 sec

Electrical

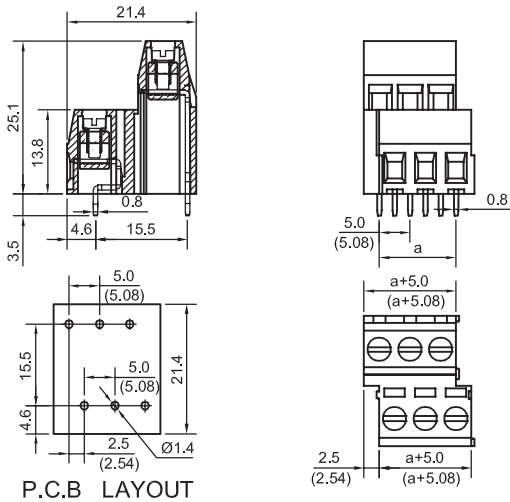
Rated voltage : 300V
 Rated current : 10A
 Contact resistance : $20m \Omega$
 Insulation resistance : $>5000M \Omega$ DC500V
 Withstanding voltage : AC2000V/1Min
 Wire range : 28-14AWG 1.5mm²
 Strip length : 6-7mm



YongXing Terminal Blocks



YB362-500M/YB362-508M



Pitch:5.00mm;5.08mm

Poles: 2~3 poles

Approval:

Material

Care clamp : Brass, Ni Plated
 Contact : Brass, Tin Plated
 Housing : PA66, UL94V-0
 Screws : M2.5 steel Zinc plated
 Color : Green

Environmental

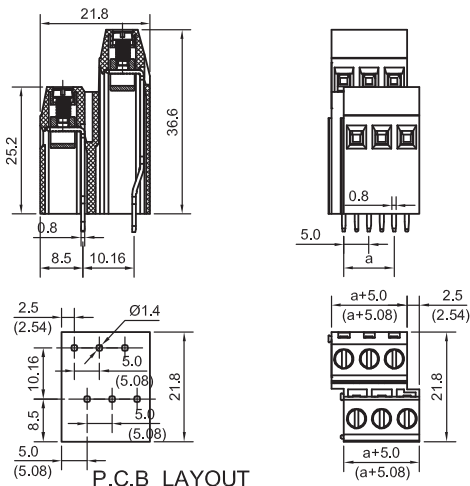
Operation temperature : -40° ~+150°
 Short-time temperature : +250° for 5 sec

Electrical

Rated voltage : 300V
 Rated current : 16A
 Contact resistance : 20m Ω
 Insulation resistance : >5000MΩ DC500V
 Withstanding voltage : AC2000V/1Min
 Wire range : 24-12AWG 2.5mm²
 Strip length : 6-7mm



YB372-500M/YB372-508M



Pitch:5.00mm;5.08mm

Poles: 2~3 poles

Approval:

Material

Care clamp : Brass, Ni Plated
 Contact : Brass, Tin Plated
 Housing : PA66, UL94V-0
 Screws : M2.5 steel Zinc plated
 Color : Green

Environmental

Operation temperature : -40° ~+150°
 Short-time temperature : +250° for 5 sec

Electrical

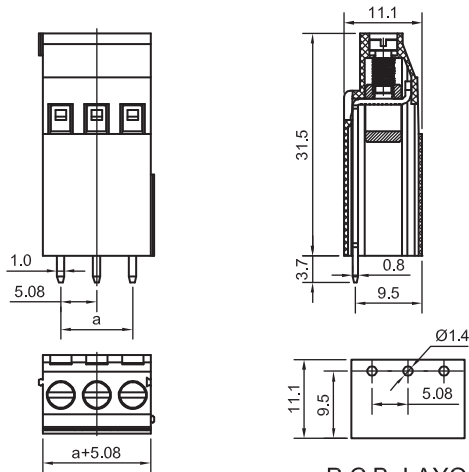
Rated voltage : 300V
 Rated current : 16A
 Contact resistance : 20m Ω
 Insulation resistance : >5000MΩ DC500V
 Withstanding voltage : AC2000V/1Min
 Wire range : 24-12AWG 2.5mm²
 Strip length : 6-7mm



YongXing Terminal Blocks



YB422A-508M



P.C.B LAYOUT

Pitch:5.08mm
Poles: 2~3 poles
Approval:

Material

Care clamp : Brass, Ni Plated
Contact : Brass, Tin Plated
Housing : PA66, UL94V-0
Screws : M2.5steel Zinc plated
Color : Green

Environmental

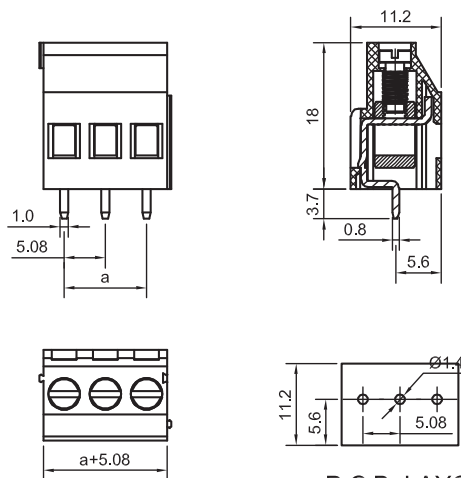
Operation temperature : -40° ~+150°
Short-time temperature : +250° for 5 sec

Electrical

Rated voltage : 300V
Rated current : 16A
Contact resistance : 20m Ω
Insulation resistance : >5000MΩ DC500V
Withstanding voltage : AC2000V/1Min
Wire range : 24-12AWG 2.5mm²
Strip length : 6-7mm



YB422B-508M



P.C.B LAYOUT

Pitch:5.08mm
Poles: 2~3 poles
Approval:

Material

Care clamp : Brass, Ni Plated
Contact : Brass, Tin Plated
Housing : PA66, UL94V-0
Screws : M2.5steel Zinc plated
Color : Green

Environmental

Operation temperature : -40° ~+150°
Short-time temperature : +250° for 5 sec

Electrical

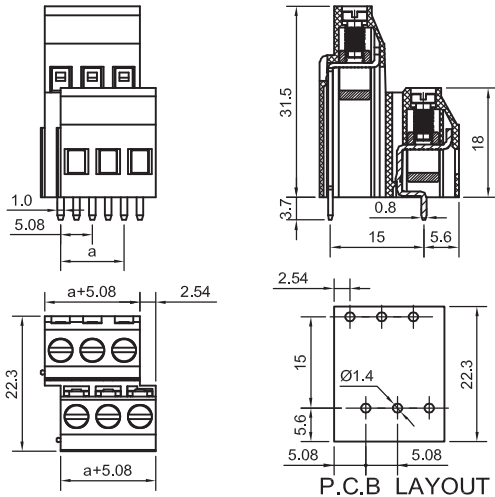
Rated voltage : 300V
Rated current : 16A
Contact resistance : 20m Ω
Insulation resistance : >5000MΩ DC500V
Withstanding voltage : AC2000V/1Min
Wire range : 24-12AWG 2.5mm²
Strip length : 6-7mm



YongXing Terminal Blocks



YB432-508M



Pitch: 5.08mm
 Poles: 2~3 poles
 Approval:

Material

Care clamp : Brass, Ni Plated
 Contact : Brass, Tin Plated
 Housing : PA66, UL94V-0
 Screws : M2.5steel Zinc plated
 Color : Green

Environmental

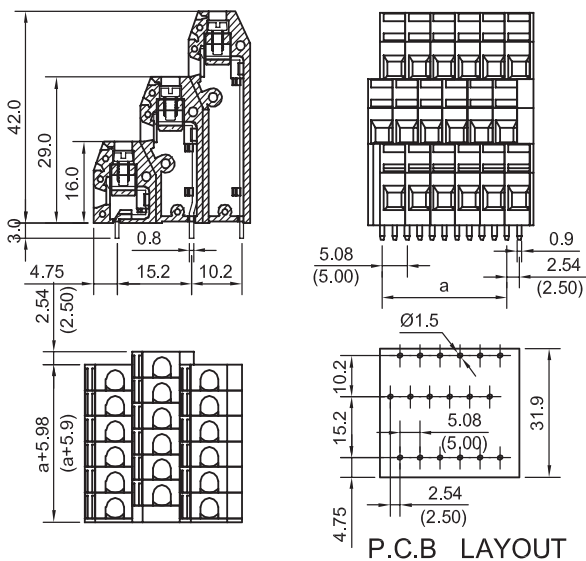
Operation temperature : -40° ~ $+150^{\circ}$
 Short-time temperature : $+250^{\circ}$ for 5 sec

Electrical

Rated voltage : 300V
 Rated current : 16A
 Contact resistance : 20m Ω
 Insulation resistance : $>5000M\Omega$ DC500V
 Withstanding voltage : AC2000V/1Min
 Wire range : 24-12AWG 2.5mm²
 Strip length : 6-7mm



YB522-500/YB522-508



Pitch: 5.00mm; 5.08mm
 Poles: 2~6poles
 Approval:

Material

Care clamp : Brass, Ni Plated
 Contact : Brass, Tin Plated
 Housing : PA66, UL94V-0
 Screws : M2.5steel Zinc plated
 Color : Green

Environmental

Operation temperature : -40° ~ $+150^{\circ}$
 Short-time temperature : $+250^{\circ}$ for 5 sec

Electrical

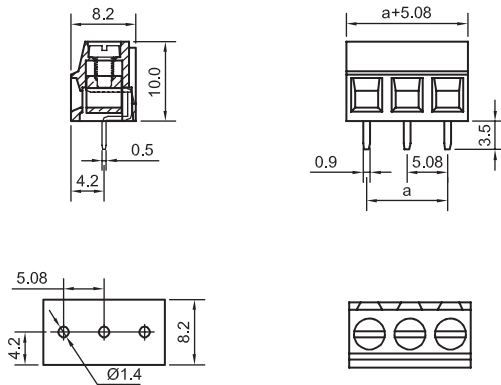
Rated voltage : 300V
 Rated current : 16A
 Contact resistance : 20m Ω
 Insulation resistance : $>5000M\Omega$ DC500V
 Withstanding voltage : AC2000V/1Min
 Wire range : 24-12AWG 2.5mm²
 Strip length : 6-7mm



YongXing Terminal Blocks



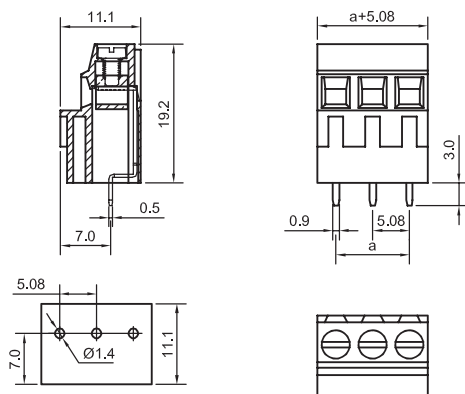
YB612-508M



P.C.B LAYOUT



YB622-508M



P.C.B LAYOUT

Pitch: 5.08mm
 Poles: 2~3 poles
 Approval:

Material

Care clamp : Brass, Ni Plated
 Contact : Brass, Tin Plated
 Housing : PA66, UL94V-0
 Screws : M2.5 steel Zinc plated
 Color : Green

Environmental

Operation temperature : -40° ~ $+150^{\circ}$
 Short-time temperature : $+250^{\circ}$ for 5 sec

Electrical

Rated voltage : 300V
 Rated current : 16A
 Contact resistance : $20m \Omega$
 Insulation resistance : $>5000M\Omega$ DC500V
 Withstanding voltage : AC2000V/1Min
 Wire range : 24~12AWG 2.5mm²
 Strip length : 6~7mm

Pitch: 5.08mm
 Poles: 2~3poles
 Approval:

Material

Care clamp : Brass, Ni Plated
 Contact : Brass, Tin Plated
 Housing : PA66, UL94V-0
 Screws : M2.5 steel Zinc plated
 Color : Green

Environmental

Operation temperature : -40° ~ $+150^{\circ}$
 Short-time temperature : $+250^{\circ}$ for 5 sec

Electrical

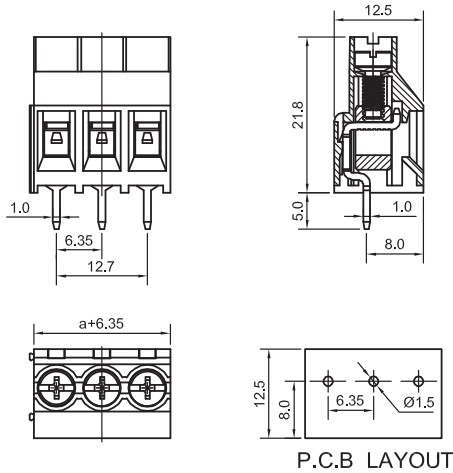
Rated voltage : 300V
 Rated current : 16A
 Contact resistance : $20m \Omega$
 Insulation resistance : $>5000M\Omega$ DC500V
 Withstanding voltage : AC2000V/1Min
 Wire range : 24~12AWG 2.5mm²
 Strip length : 6~7mm



YongXing Terminal Blocks



YB912-635M



Pitch:6.35mm
 Poles: 2~3 poles
 Approval:

Material

Care clamp : Brass, Ni Plated
 Contact : Brass, Tin Plated
 Housing : PA66, UL94V-0
 Screws : M3 steel Zinc plated
 Color : Green

Environmental

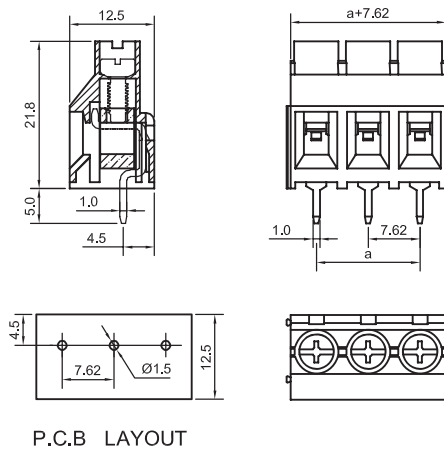
Operation temperature : -40° ~+150°
 Short-time temperature : +250° for 5 sec

Electrical

Rated voltage : 300V
 Rated current : 30A
 Contact resistance : 20m Ω
 Insulation resistance : >5000M Ω DC500V
 Withstanding voltage : AC2000V/1Min
 Wire range : 24-10AWG 3.0mm²
 Strip length : 6-7mm



YB912-762M



Pitch:7.62mm
 Poles: 2~3 poles
 Approval:

Material

Care clamp : Brass, Ni Plated
 Contact : Brass, Tin Plated
 Housing : PA66, UL94V-0
 Screws : M3 steel Zinc plated
 Color : Green

Environmental

Operation temperature : -40° ~+150°
 Short-time temperature : +250° for 5 sec

Electrical

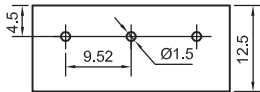
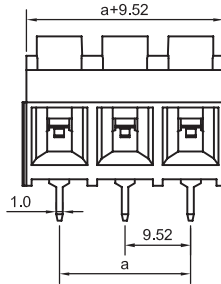
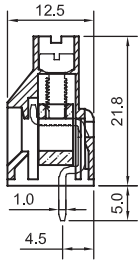
Rated voltage : 300V
 Rated current : 30A
 Contact resistance : 20m Ω
 Insulation resistance : >5000M Ω DC500V
 Withstanding voltage : AC2000V/1Min
 Wire range : 24-10AWG 3.0mm²
 Strip length : 6-7mm



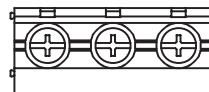
YongXing Terminal Blocks



YB912-952M



P.C.B LAYOUT



Pitch:9.52mm
Poles: 2~3 poles
Approval:

Material

Case damp : Brass, Ni Plated
Contact : Brass, Tin Plated
Housing : PA66, UL94V-0
Screws : M3 steel Zinc plated
Color : Green

Environmental

Operation temperature : -40° ~ $+150^{\circ}$
Short-time temperature : $+250^{\circ}$ for 5 sec

Electrical

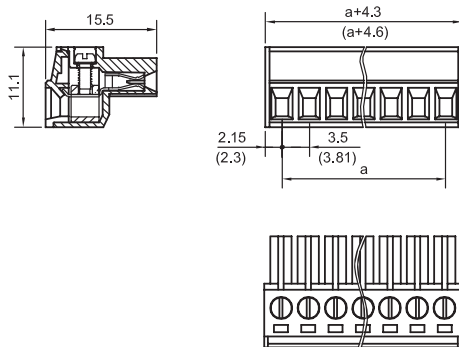
Rated voltage : 300V
Rated current : 30A
Contact resistance : 20m Ω
Insulation resistance : $>5000M\Omega$ DC500V
Withstanding voltage : AC2000V/1Min
Wire range : 24~10AWG 3.0mm²
Strip length : 6~7mm



YongXing Terminal Blocks



YC420-350 / YC420-381



Pitch:3.5mm;3.81mm

Poles: 2~24 poles

Approval:

Material

Care clamp : Brass, Ni Plated
 Wire guard : Phosphor Tin Plated
 Housing : PA66, UL94V-0
 Screws : M2.0steel Zinc plated
 Color : Green

Environmental

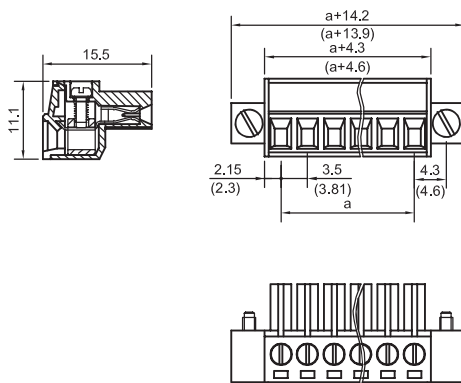
Operation temperature : -40° ~+150°
 Short-time temperature : +250° for 5 sec

Electrical

Rated voltage : 300V
 Rated current : 10A
 Contact resistance : 20m Ω
 Insulation resistance : >5000MΩ DC500V
 Withstanding voltage : AC2000V/1Min
 Wire range : 28-14AWG 1.5mm²
 Strip length : 6-7mm



YC421-350 / YC421-381



Pitch:3.5mm;3.81mm

Poles: 2~24poles

Approval:

Material

Care clamp : Brass, Ni Plated
 Wire guard : Phosphor Tin Plated
 Housing : PA66, UL94V-0
 Screws : M2.0steel Zinc plated
 Color : Green

Environmental

Operation temperature : -40° ~+150°
 Short-time temperature : +250° for 5 sec

Electrical

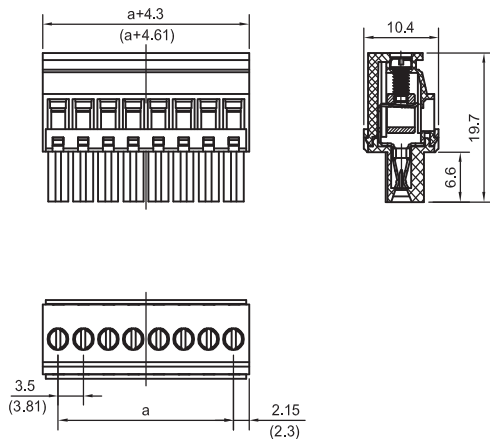
Rated voltage : 300V
 Rated current : 10A
 Contact resistance : 20m Ω
 Insulation resistance : >5000MΩ DC500V
 Withstanding voltage : AC2000V/1Min
 Wire range : 28-14AWG 1.5mm²
 Strip length : 6-7mm



YongXing Terminal Blocks



YC060-350/YC060-381



Pitch:3.5mm;3.81mm

Poles: 2~24 poles

Approval:

Material

Care clamp : Brass, Ni Plated
 Wire guard : Phosphor Tin Plated
 Housing : PA66, UL94V-0
 Screws : M2.0 steel Zinc plated
 Color : Green

Environmental

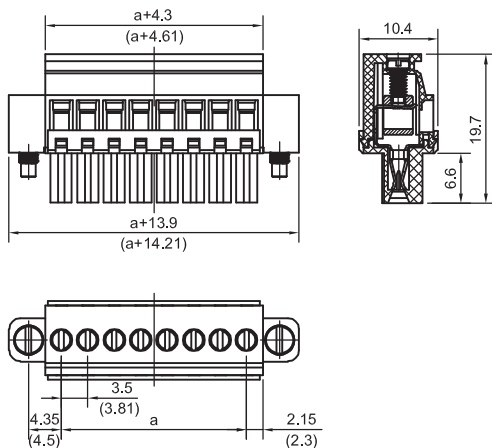
Operation temperature : -40° ~ $+150^{\circ}$
 Short-time temperature : $+250^{\circ}$ for 5 sec

Electrical

Rated voltage : 300V
 Rated current : 10A
 Contact resistance : $20m \Omega$
 Insulation resistance : $>5000M\Omega$ DC500V
 Withstanding voltage : AC2000V/1Min
 Wire range : 28-14AWG 1.5mm²
 Strip length : 6-7mm



YC061-350/YC061-381



Pitch:3.5mm;3.81mm

Poles: 2~24poles

Approval:

Material

Care clamp : Brass, Ni Plated
 Wire guard : Phosphor Tin Plated
 Housing : PA66, UL94V-0
 Screws : M2.0 steel Zinc plated
 Color : Green

Environmental

Operation temperature : -40° ~ $+150^{\circ}$
 Short-time temperature : $+250^{\circ}$ for 5 sec

Electrical

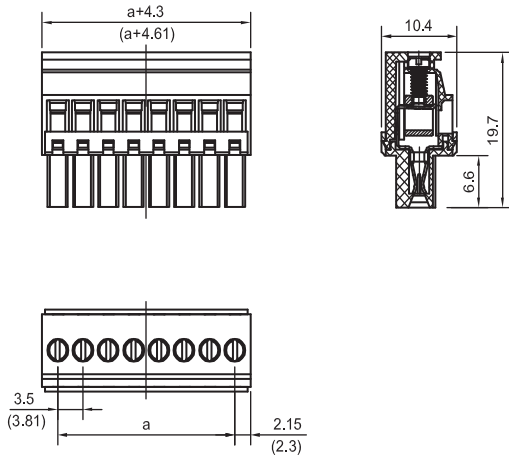
Rated voltage : 300V
 Rated current : 10A
 Contact resistance : $20m \Omega$
 Insulation resistance : $>5000M\Omega$ DC500V
 Withstanding voltage : AC2000V/1Min
 Wire range : 28-14AWG 1.5mm²
 Strip length : 6-7mm



YongXing Terminal Blocks



YC070-350/YC070-381



Pitch:3.5mm;3.81mm

Poles: 2~24 poles

Approval:

Material

Care clamp : Brass, Ni Plated
 Wire guard : Phosphor Tin Plated
 Housing : PA66, UL94V-0
 Screws : M2.0steel Zinc plated
 Color : Green

Environmental

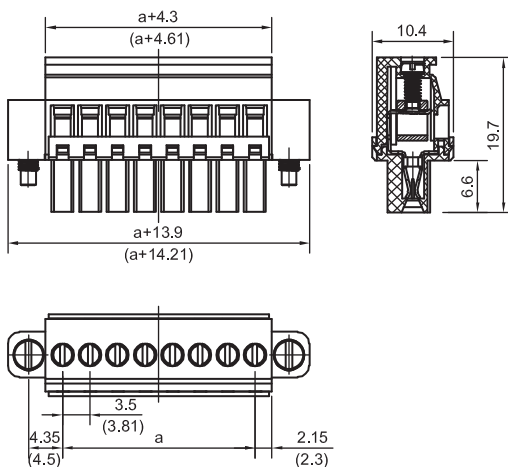
Operation temperature : -40° ~ $+150^{\circ}$
 Short-time temperature : $+250^{\circ}$ for 5 sec

Electrical

Rated voltage : 300V
 Rated current : 10A
 Contact resistance : $20m \Omega$
 Insulation resistance : $>5000M \Omega$ DC500V
 Withstanding voltage : AC2000V/1Min
 Wire range : 28-14AWG $1.5mm^2$
 Strip length : 6-7mm



YC071-350/YC071-381



Pitch:3.5mm;3.81mm

Poles: 2~24poles

Approval:

Material

Care clamp : Brass, Ni Plated
 Wire guard : Phosphor Tin Plated
 Housing : PA66, UL94V-0
 Screws : M2.0steel Zinc plated
 Color : Green

Environmental

Operation temperature : -40° ~ $+150^{\circ}$
 Short-time temperature : $+250^{\circ}$ for 5 sec

Electrical

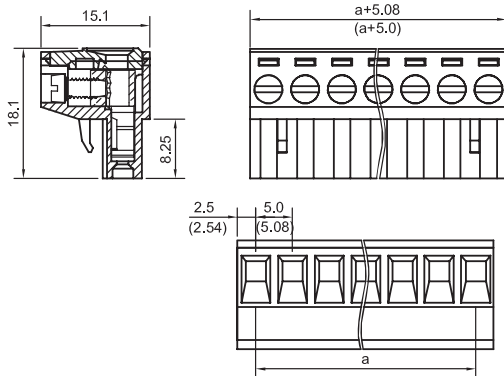
Rated voltage : 300V
 Rated current : 10A
 Contact resistance : $20m \Omega$
 Insulation resistance : $>5000M \Omega$ DC500V
 Withstanding voltage : AC2000V/1Min
 Wire range : 28-14AWG $1.5mm^2$
 Strip length : 6-7mm



YongXing Terminal Blocks



YC100-500 / YC100-508



Pitch: 5.00mm; 5.08mm

Poles: 2~24poles

Approval:

Material

Care clamp : Brass, Ni Plated
 Wire guard : Phosphor Tin Plated
 Housing : PA66, UL94V-0
 Screws : M3steel Zinc plated
 Color : Green

Environmental

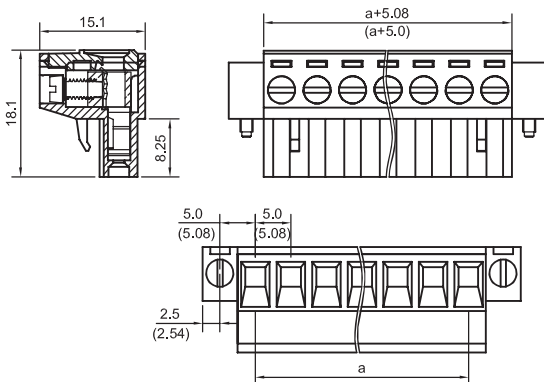
Operation temperature : -40° ~+150°
 Short-time temperature : +250° for 5 sec

Electrical

Rated voltage : 300V
 Rated current : 16A
 Contact resistance : 20m Ω
 Insulation resistance : >5000MΩ DC500V
 Withstanding voltage : AC2000V/1Min
 Wire range : 28-12AWG 2.5mm²
 Strip length : 6-7mm



YC101-500 / YC101-508



Pitch: 5.00mm; 5.08mm

Poles: 2~24poles

Approval:

Material

Care clamp : Brass, Ni Plated
 Wire guard : Phosphor Tin Plated
 Housing : PA66, UL94V-0
 Screws : M3steel Zinc plated
 Color : Green

Environmental

Operation temperature : -40° ~+150°
 Short-time temperature : +250° for 5 sec

Electrical

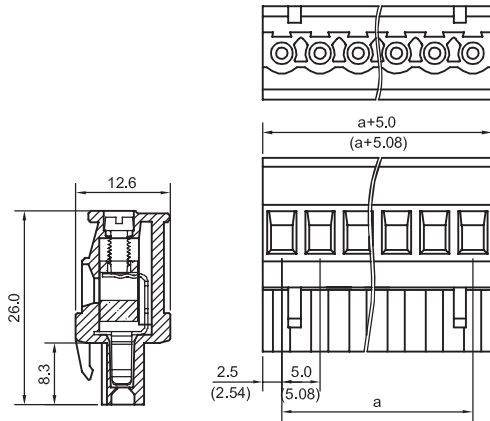
Rated voltage : 300V
 Rated current : 16A
 Contact resistance : 20m Ω
 Insulation resistance : >5000MΩ DC500V
 Withstanding voltage : AC2000V/1Min
 Wire range : 28-12AWG 2.5mm²
 Strip length : 6-7mm



YongXing Terminal Blocks



YC010-500 / YC010-508



Pitch:5.00mm;5.08mm

Poles: 2~24poles

Approval:

Material

Care clamp : Brass, Ni Plated
 Wire guard : Phosphor Tin Plated
 Housing : PA66, UL94V-0
 Screws : M3steel Zinc plated
 Color : Green

Environmental

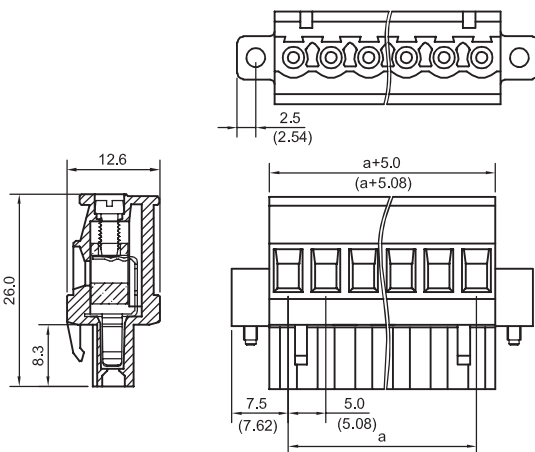
Operation temperature : -40° ~ $+150^{\circ}$
 Short-time temperature : $+250^{\circ}$ for 5 sec

Electrical

Rated voltage : 300V
 Rated current : 16A
 Contact resistance : 20m Ω
 Insulation resistance : $>5000M\Omega$ DC500V
 Withstanding voltage : AC2000V/1Min
 Wire range : 28-12AWG 2.5mm²
 Strip length : 6-7mm



YC011-500 / YC011-508



Pitch:5.00mm;5.08mm

Poles: 2~24poles

Approval:

Material

Care clamp : Brass, Ni Plated
 Wire guard : Phosphor Tin Plated
 Housing : PA66, UL94V-0
 Screws : M3steel Zinc plated
 Color : Green

Environmental

Operation temperature : -40° ~ $+150^{\circ}$
 Short-time temperature : $+250^{\circ}$ for 5 sec

Electrical

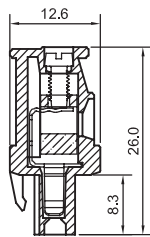
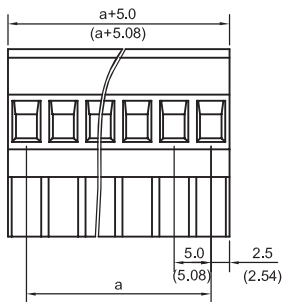
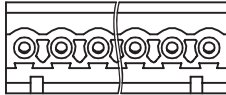
Rated voltage : 300V
 Rated current : 16A
 Contact resistance : 20m Ω
 Insulation resistance : $>5000M\Omega$ DC500V
 Withstanding voltage : AC2000V/1Min
 Wire range : 28-12AWG 2.5mm²
 Strip length : 6-7mm



YongXing Terminal Blocks



YC020-500 / YC020-508



Pitch: 5.00mm; 5.08mm

Poles: 2~24poles

Approval:

Material

Care clamp : Brass, Ni Plated
 Wire guard : Phosphor Tin Plated
 Housing : PA66, UL94V-0
 Screws : M3steel Zinc plated
 Color : Green

Environmental

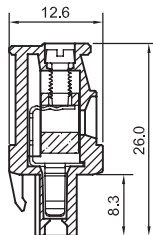
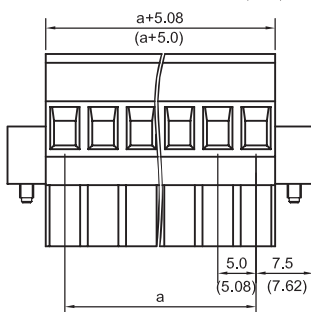
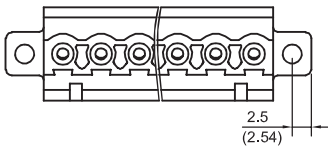
Operation temperature : -40° ~ $+150^{\circ}$
 Short-time temperature : $+250^{\circ}$ for 5 sec

Electrical

Rated voltage : 300V
 Rated current : 16A
 Contact resistance : 20m Ω
 Insulation resistance : $>5000M\Omega$ DC500V
 Withstanding voltage : AC2000V/1Min
 Wire range : 28-12AWG 2.5mm²
 Strip length : 6-7mm



YC021-500 / YC021-508



Pitch: 5.00mm; 5.08mm

Poles: 2~24poles

Approval:

Material

Care clamp : Brass, Ni Plated
 Wire guard : Phosphor Tin Plated
 Housing : PA66, UL94V-0
 Screws : M3steel Zinc plated
 Color : Green

Environmental

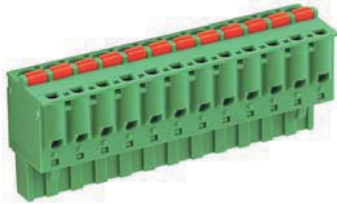
Operation temperature : -40° ~ $+150^{\circ}$
 Short-time temperature : $+250^{\circ}$ for 5 sec

Electrical

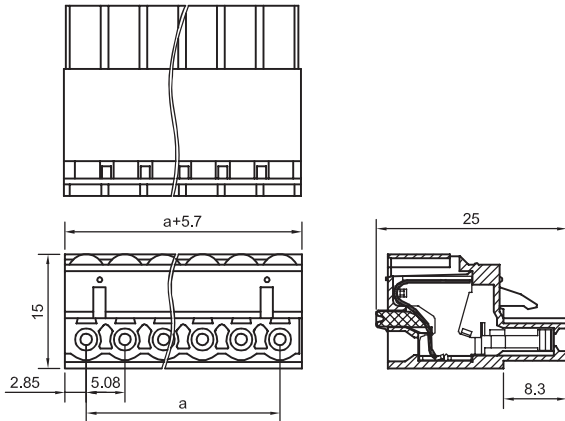
Rated voltage : 300V
 Rated current : 16A
 Contact resistance : 20m Ω
 Insulation resistance : $>5000M\Omega$ DC500V
 Withstanding voltage : AC2000V/1Min
 Wire range : 28-12AWG 2.5mm²
 Strip length : 6-7mm



YongXing Terminal Blocks



YC030-508



Pitch: 5.08mm
 Poles: 2~24 poles
 Approval:

Material

Wire protector : Stainless strip steel
 Wire guard : Phosphor Tin Plated
 Housing : PA66, UL94V-0
 Color : Green

Environmental

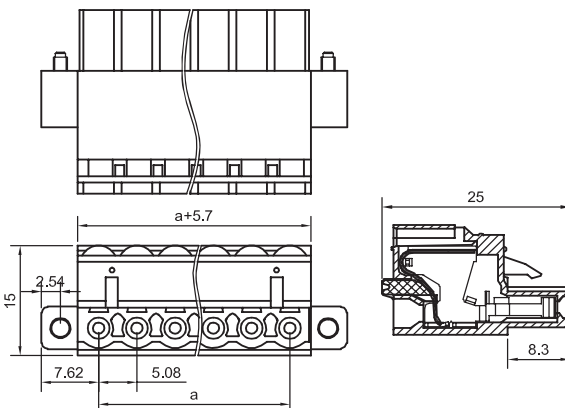
Operation temperature : -40° ~ $+150^{\circ}$
 Short-time temperature : $+250^{\circ}$ for 5 sec

Electrical

Rated voltage : 300V
 Rated current : 16A
 Contact resistance : 20m Ω
 Insulation resistance : $>5000M\Omega$ DC500V
 Withstanding voltage : AC2000V/1Min
 Wire range : 28~12AWG 2.5mm²
 Strip length : 6~7mm



YC031-508



Pitch: 5.08mm
 Poles: 2~24 poles
 Approval:

Material

Wire protector : Stainless strip steel
 Wire guard : Phosphor Tin Plated
 Housing : PA66, UL94V-0
 Color : Green

Environmental

Operation temperature : -40° ~ $+150^{\circ}$
 Short-time temperature : $+250^{\circ}$ for 5 sec

Electrical

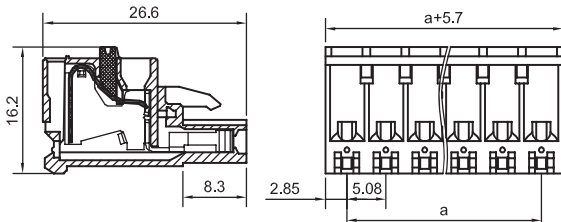
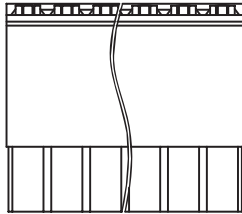
Rated voltage : 300V
 Rated current : 16A
 Contact resistance : 20m Ω
 Insulation resistance : $>5000M\Omega$ DC500V
 Withstanding voltage : AC2000V/1Min
 Wire range : 28~12AWG 2.5mm²
 Strip length : 6~7mm



YongXing Terminal Blocks



YC040-508



Pitch: 5.08mm
 Poles: 2~24 poles
 Approval:

Material

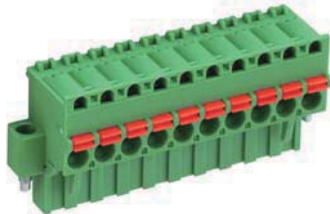
Wire protector : Stainless strip steel
 Wire guard : Phosphor Tin Plated
 Housing : PA66, UL94V-0
 Color : Green

Environmental

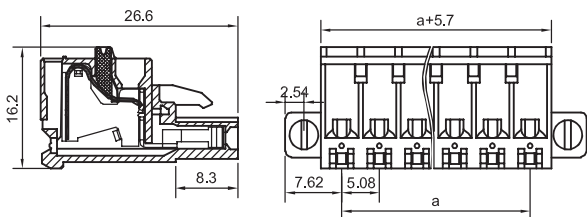
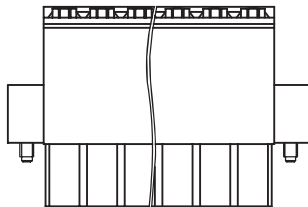
Operation temperature : -40° ~+150°
 Short-time temperature : +250° for 5 sec

Electrical

Rated voltage : 300V
 Rated current : 16A
 Contact resistance : 20m Ω
 Insulation resistance : >5000MΩ DC500V
 Withstanding voltage : AC2000V/1Min
 Wire range : 28-12AWG 2.5mm²
 Strip length : 6-7mm



YC041-508



Pitch: 5.08mm
 Poles: 2~24 poles
 Approval:

Material

Wire protector : Stainless strip steel
 Wire guard : Phosphor Tin Plated
 Housing : PA66, UL94V-0
 Color : Green

Environmental

Operation temperature : -40° ~+150°
 Short-time temperature : +250° for 5 sec

Electrical

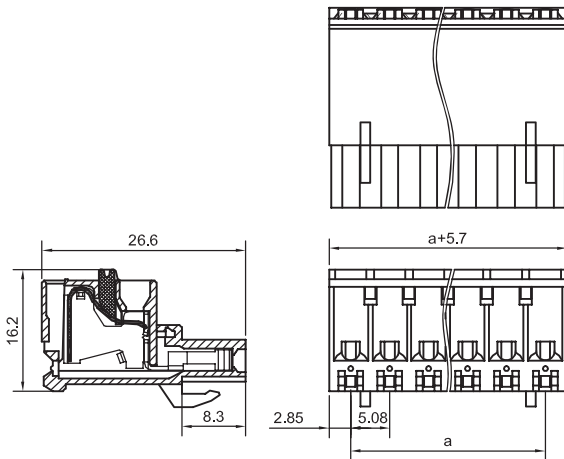
Rated voltage : 300V
 Rated current : 16A
 Contact resistance : 20m Ω
 Insulation resistance : >5000MΩ DC500V
 Withstanding voltage : AC2000V/1Min
 Wire range : 28-12AWG 2.5mm²
 Strip length : 6-7mm



YongXing Terminal Blocks



YC050-508



Pitch:5.08mm
 Poles: 2~24 poles
 Approval:

Material

Wire protector : Stainless strip steel
 Wire guard : Phosphor Tin Plated
 Housing : PA66,UL94V-0
 Color : Green

Environmental

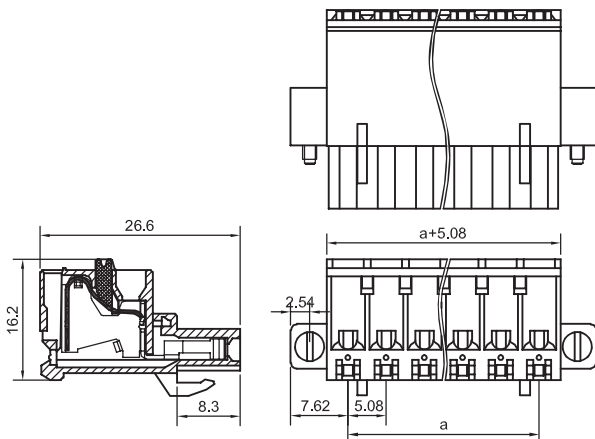
Operation temperature : -40° ~+150°
 Short-time temperature : +250° for 5 sec

Electrical

Rated voltage : 300V
 Rated current : 16A
 Contact resistance : 20m Ω
 Insulation resistance : >5000M Ω DC500V
 Withstanding voltage : AC2000V/1Min
 Wire range : 28-12AWG 2.5mm²
 Strip length : 6-7mm



YC051-508



Pitch:5.08mm
 Poles: 2~24 poles
 Approval:

Material

Wire protector : Stainless strip steel
 Wire guard : Phosphor Tin Plated
 Housing : PA66,UL94V-0
 Color : Green

Environmental

Operation temperature : -40° ~+150°
 Short-time temperature : +250° for 5 sec

Electrical

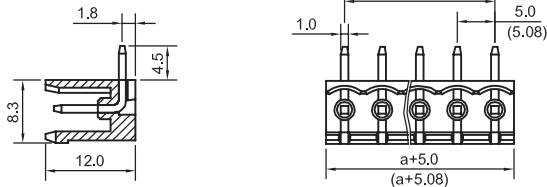
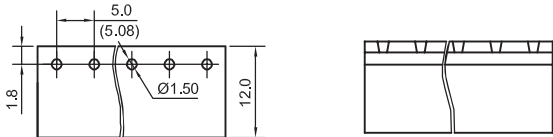
Rated voltage : 300V
 Rated current : 16A
 Contact resistance : 20m Ω
 Insulation resistance : >5000M Ω DC500V
 Withstanding voltage : AC2000V/1Min
 Wire range : 28-12AWG 2.5mm²
 Strip length : 6-7mm



YongXing Terminal Blocks



YE010-500 / YE010-508



Pitch:5.00mm;5.08mm
 Poles: 2~24 poles
 Approval:

Material

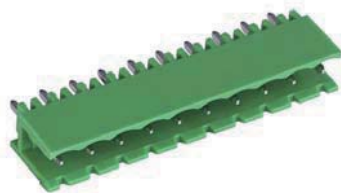
Policy : Brass, Tin Plated
 Housing : PA66, UL94V-0
 Color : Green

Environmental

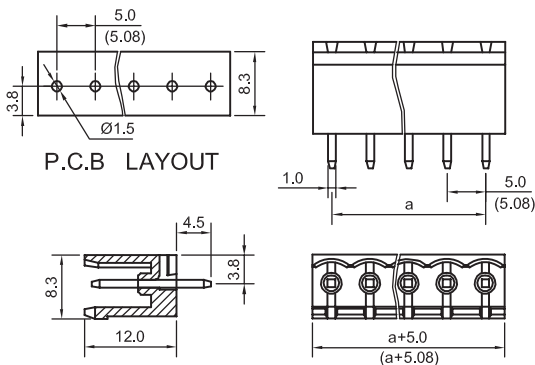
Operation temperature : -40° ~+150°
 Short-time temperature : +250° for 5 sec

Electrical

Rated voltage : 300V
 Rated current : 16A
 Contact resistance : 20m Ω
 Insulation resistance : >5000MΩ DC500V
 Withstanding voltage : AC2000V/1Min



YE020-500 / YE020-508



Pitch:5.00mm;5.08mm
 Poles: 2~24 poles
 Approval:

Material

Policy : Brass, Tin Plated
 Housing : PA66, UL94V-0
 Color : Green

Environmental

Operation temperature : -40° ~+150°
 Short-time temperature : +250° for 5 sec

Electrical

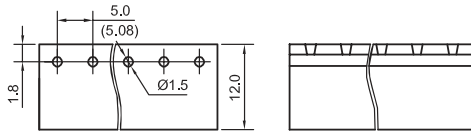
Rated voltage : 300V
 Rated current : 16A
 Contact resistance : 20m Ω
 Insulation resistance : >5000MΩ DC500V
 Withstanding voltage : AC2000V/1Min



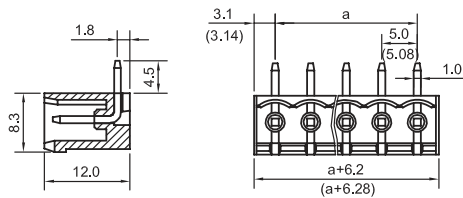
YongXing Terminal Blocks



YE030-500 / YE030-508



P.C.B LAYOUT



Pitch:5.00mm;5.08mm

Poles: 2~24 poles

Approval:

Material

Policy : Brass, Tin Plated
 Housing : PA66, UL94V-0
 Color : Green

Environment

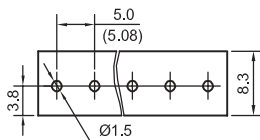
Operation temperature : -40° ~+150°
 Short-time temperature : +250° for 5 sec

Electrical

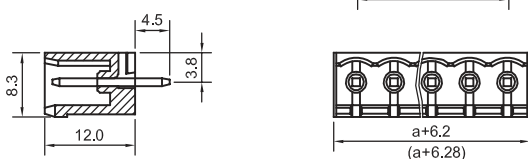
Rated voltage : 300V
 Rated current : 16A
 Contact resistance : 20m Ω
 Insulation resistance : >5000MΩ DC500V
 Withstanding voltage : AC2000V/1Min



YE040-500 / YE040-508



P.C.B LAYOUT



Pitch:5.00mm;5.08mm

Poles: 2~24 poles

Approval:

Material

Policy : Brass, Tin Plated
 Housing : PA66, UL94V-0
 Color : Green

Environmental

Operation temperature : -40° ~+150°
 Short-time temperature : +250° for 5 sec

Electrical

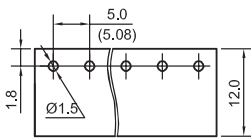
Rated voltage : 300V
 Rated current : 16A
 Contact resistance : 20m Ω
 Insulation resistance : >5000MΩ DC500V
 Withstanding voltage : AC2000V/1Min



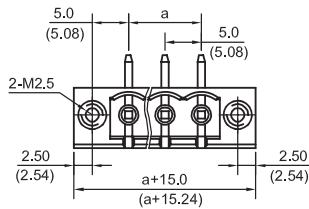
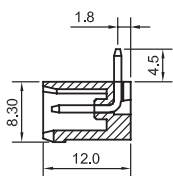
YongXing Terminal Blocks



YE050-500 / YE050-508



P.C.B LAYOUT



Pitch:5.00mm;5.08mm

Poles: 2~24 poles

Approval:

Material

Policy : Brass, Tin Plated
 Housing : PA66, UL94V-0
 Color : Green

Environmental

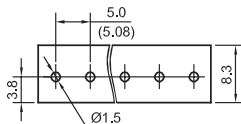
Operation temperature : -40° ~+150°
 Short-time temperature : +250° for 5 sec

Electrical

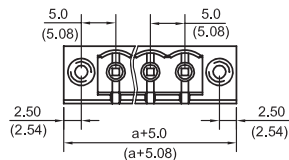
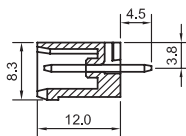
Rated voltage : 300V
 Rated current : 16A
 Contact resistance : 20m Ω
 Insulation resistance : >5000M Ω DC500V
 Withstanding voltage : AC2000V/1Min



YE060-500 / YE060-508



P.C.B LAYOUT



Pitch:5.00mm;5.08mm

Poles: 2~24 poles

Approval:

Material

Policy : Brass, Tin Plated
 Housing : PA66, UL94V-0
 Color : Green

Environmental

Operation temperature : -40° ~+150°
 Short-time temperature : +250° for 5 sec

Electrical

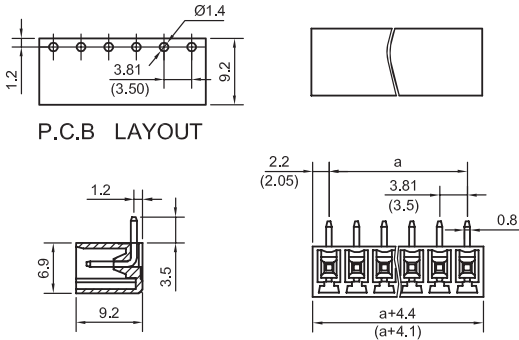
Rated voltage : 300V
 Rated current : 16A
 Contact resistance : 20m Ω
 Insulation resistance : >5000M Ω DC500V
 Withstanding voltage : AC2000V/1Min



YongXing Terminal Blocks



YE430-350 / YE430-381



Pitch: 3.5mm; 3.81mm

Poles: 2~24 poles

Approval:

Material

Policy : Brass, Tin Plated
 Housing : PA66, UL94V-0
 Color : Green

Environmental

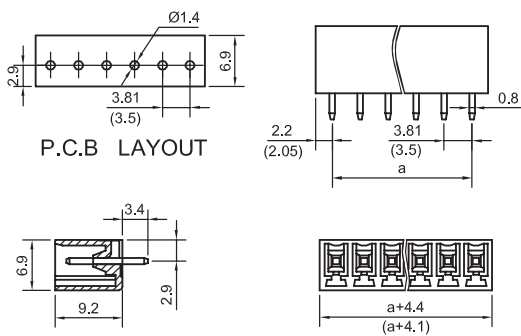
Operation temperature : -40° ~ $+150^{\circ}$
 Short-time temperature : $+250^{\circ}$ for 5 sec

Electrical

Rated voltage : 300V
 Rated current : 12A
 Contact resistance : 20m Ω
 Insulation resistance : $>5000M\Omega$ DC500V
 Withstanding voltage : AC2000V/1Min



YE440-350 / YE440-381



Pitch: 3.5mm; 3.81mm

Poles: 2~24 poles

Approval:

Material

Policy : Brass, Tin Plated
 Housing : PA66, UL94V-0
 Color : Green

Environmental

Operation temperature : -40° ~ $+150^{\circ}$
 Short-time temperature : $+250^{\circ}$ for 5 sec

Electrical

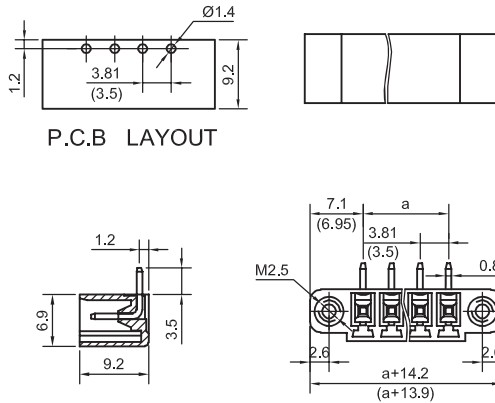
Rated voltage : 300V
 Rated current : 12A
 Contact resistance : 20m Ω
 Insulation resistance : $>5000M\Omega$ DC500V
 Withstanding voltage : AC2000V/1Min



YongXing Terminal Blocks



YE450-350 / YE450-381



Pitch:3.5mm;3.81mm

Poles: 2~24 poles

Approval:

Material

Policy : Brass, Tin Plated
 Housing : PA66, UL94V-0
 Color : Green

Environmental

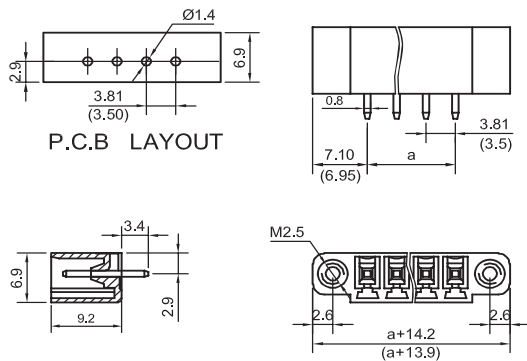
Operation temperature : -40° ~ $+150^{\circ}$
 Short-time temperature : $+250^{\circ}$ for 5 sec

Electrical

Rated voltage : 300V
 Rated current : 12A
 Contact resistance : 20m Ω
 Insulation resistance : $>5000\text{M}\Omega$ DC500V
 Withstanding voltage : AC2000V/1Min



YE460-350 / YE460-381



Pitch:3.5mm;3.81mm

Poles: 2~24 poles

Approval:

Material

Policy : Brass, Tin Plated
 Housing : PA66, UL94V-0
 Color : Green

Environmental

Operation temperature : -40° ~ $+150^{\circ}$
 Short-time temperature : $+250^{\circ}$ for 5 sec

Electrical

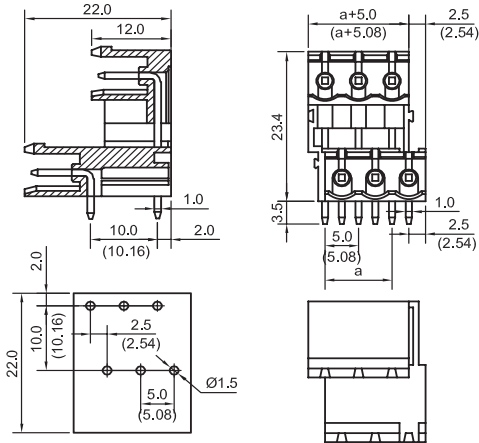
Rated voltage : 300V
 Rated current : 12A
 Contact resistance : 20m Ω
 Insulation resistance : $>5000\text{M}\Omega$ DC500V
 Withstanding voltage : AC2000V/1Min



YongXing Terminal Blocks



YE110-500M / YE110-508M



P.C.B LAYOUT

Pitch:5.00mm;508mm

Poles: 2~3 poles

Approval:

Material

Policy : Brass, Tin Plated
 Housing : PA66, UL94V-0
 Color : Green

Environmental

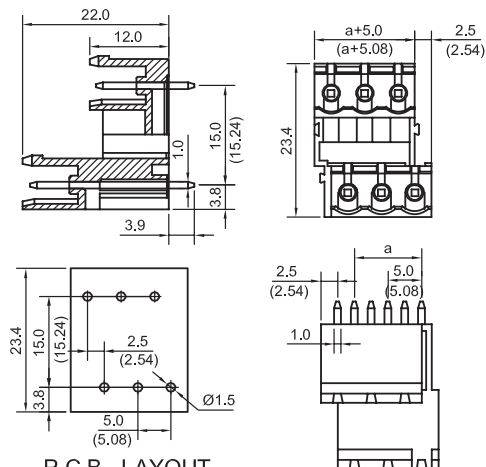
Operation temperature : -40° ~+150°
 Short-time temperature : +250° for 5 sec

Electrical

Rated voltage : 300V
 Rated current : 16A
 Contact resistance : 20m Ω
 Insulation resistance : >5000MΩ DC500V
 Withstanding voltage : AC2000V/1Min



YE120-500M / YE120-508M



P.C.B LAYOUT

Pitch:5.00mm;508mm

Poles: 2~3 poles

Approval:

Material

Policy : Brass, Tin Plated
 Housing : PA66, UL94V-0
 Color : Green

Environmental

Operation temperature : -40° ~+150°
 Short-time temperature : +250° for 5 sec

Electrical

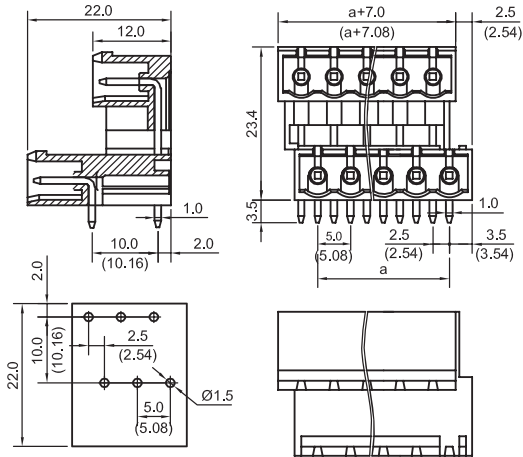
Rated voltage : 300V
 Rated current : 16A
 Contact resistance : 20m Ω
 Insulation resistance : >5000MΩ DC500V
 Withstanding voltage : AC2000V/1Min



YongXing Terminal Blocks



YE130-500 / YE130-508



P.C.B LAYOUT

Pitch:5.00mm;508mm

Poles: 2~24 poles

Approval:

Material

Policy : Brass, Tin Plated
 Housing : PA66,UL94V-0
 Color : Green

Environmental

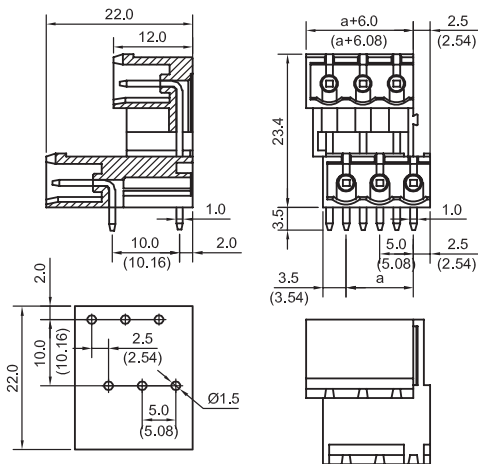
Operation temperature : -40° ~+150°
 Short-time temperature : +250° for 5 sec

Electrical

Rated voltage : 300V
 Rated current : 16A
 Contact resistance : 20m Ω
 Insulation resistance : >5000MΩ DC500V
 Withstanding voltage : AC2000V/1Min



YE13L-500M / YE13L-508M



P.C.B LAYOUT

Pitch:5.00mm;508mm

Poles: 2~3 poles

Approval:

Material

Policy : Brass, Tin Plated
 Housing : PA66,UL94V-0
 Color : Green

Environmental

Operation temperature : -40° ~+150°
 Short-time temperature : +250° for 5 sec

Electrical

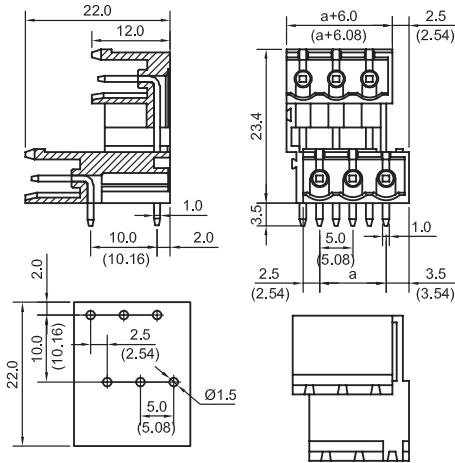
Rated voltage : 300V
 Rated current : 16A
 Contact resistance : 20m Ω
 Insulation resistance : >5000MΩ DC500V
 Withstanding voltage : AC2000V/1Min



YongXing Terminal Blocks



YE13R-500M / YE13R-508M



P.C.B LAYOUT

Pitch:5.00mm;508mm

Poles: 2~3 poles

Approval:

Material

Policy : Brass, Tin Plated
 Housing : PA66, UL94V-0
 Color : Green

Environmental

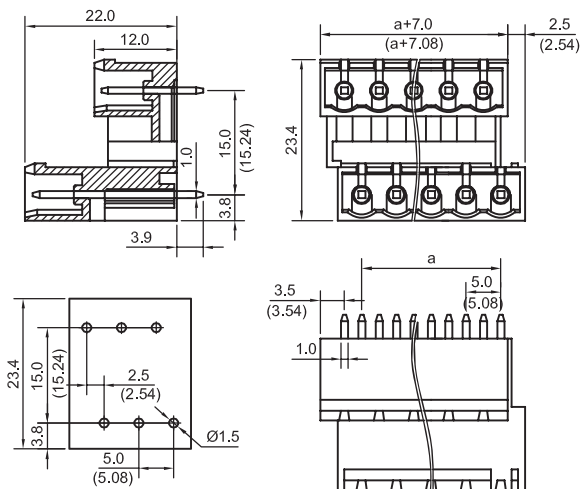
Operation temperature : -40° ~+150°
 Short-time temperature : +250° for 5 sec

Electrical

Rated voltage : 300V
 Rated current : 16A
 Contact resistance : 20m Ω
 Insulation resistance : >5000MΩ DC500V
 Withstanding voltage : AC2000V/1Min



YE140-500 / YE140-508



P.C.B LAYOUT

Pitch:5.00mm;508mm

Poles: 2~24 poles

Approval:

Material

Policy : Brass, Tin Plated
 Housing : PA66, UL94V-0
 Color : Green

Environmental

Operation temperature : -40° ~+150°
 Short-time temperature : +250° for 5 sec

Electrical

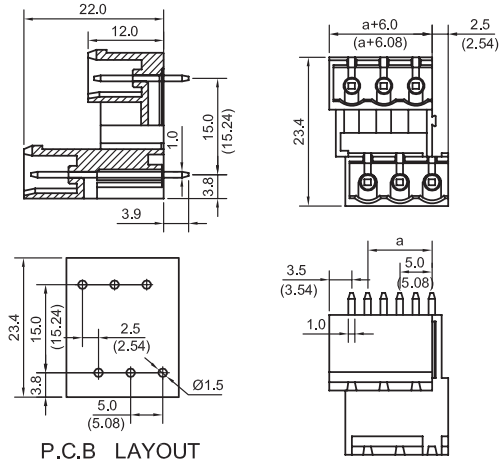
Rated voltage : 300V
 Rated current : 16A
 Contact resistance : 20m Ω
 Insulation resistance : >5000MΩ DC500V
 Withstanding voltage : AC2000V/1Min



YongXing Terminal Blocks



YE14L-500M / YE14L-508M



P.C.B LAYOUT

Pitch:5.00mm;508mm

Poles: 2~3 poles

Approval:

Material

Policy : Brass, Tin Plated
 Housing : PA66, UL94V-0
 Color : Green

Environmental

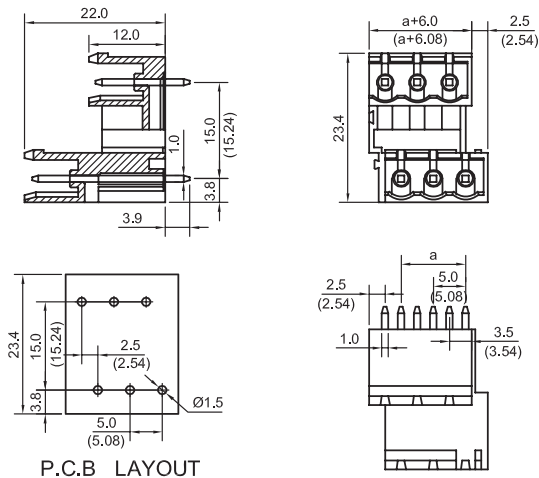
Operation temperature : -40° ~+150°
 Short-time temperature : +250° for 5 sec

Electrical

Rated voltage : 300V
 Rated current : 16A
 Contact resistance : 20m Ω
 Insulation resistance : >5000MΩ DC500V
 Withstanding voltage : AC2000V/1Min



YE14R-500M / YE14R-508M



P.C.B LAYOUT

Pitch:5.00mm;508mm

Poles: 2~3 poles

Approval:

Material

Policy : Brass, Tin Plated
 Housing : PA66, UL94V-0
 Color : Green

Environmental

Operation temperature : -40° ~+150°
 Short-time temperature : +250° for 5 sec

Electrical

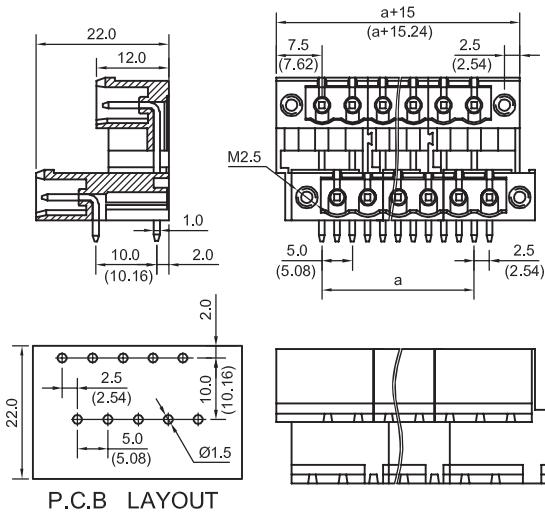
Rated voltage : 300V
 Rated current : 16A
 Contact resistance : 20m Ω
 Insulation resistance : >5000MΩ DC500V
 Withstanding voltage : AC2000V/1Min



YongXing Terminal Blocks



YE150-500 / YE150-508



Pitch:5.00mm;508mm
 Poles: 2~24 poles
 Approval:

Material

Policy : Brass, Tin Plated
 Housing : PA66, UL94V-0
 Color : Green

Environmental

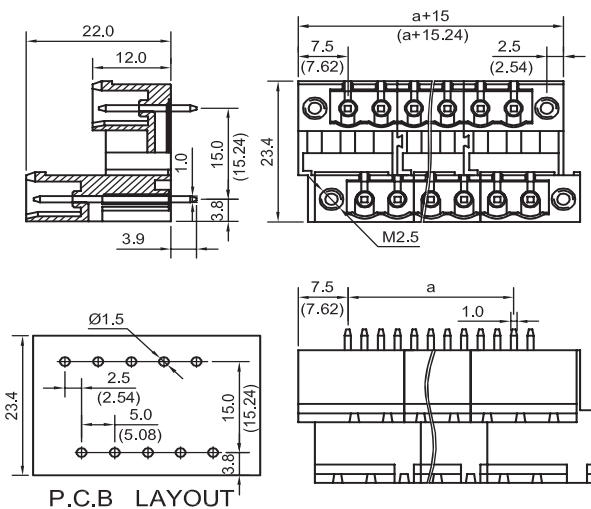
Operation temperature : -40° ~+150°
 Short-time temperature : +250° for 5 sec

Electrical

Rated voltage : 300V
 Rated current : 16A
 Contact resistance : 20m Ω
 Insulation resistance : >5000MΩ DC500V
 Withstanding voltage : AC2000V/1Min



YE160-500 / YE160-508



Pitch:5.00mm;508mm
 Poles: 2~24 poles
 Approval:

Material

Policy : Brass, Tin Plated
 Housing : PA66, UL94V-0
 Color : Green

Environmental

Operation temperature : -40° ~+150°
 Short-time temperature : +250° for 5 sec

Electrical

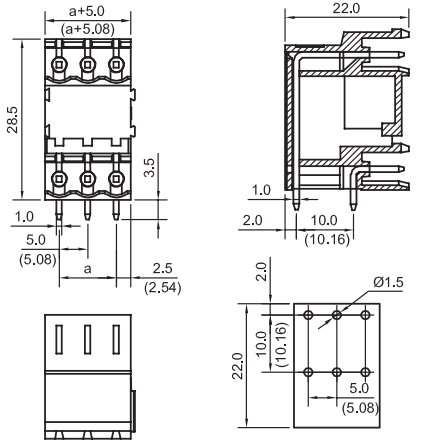
Rated voltage : 300V
 Rated current : 16A
 Contact resistance : 20m Ω
 Insulation resistance : >5000MΩ DC500V
 Withstanding voltage : AC2000V/1Min



YongXing Terminal Blocks



YE210-500M / YE210-508M



P.C.B LAYOUT

Pitch:5.00mm;508mm

Poles: 2~3 poles

Approval:

Material

Policy : Brass, Tin Plated
 Housing : PA66, UL94V-0
 Color : Green

Environmental

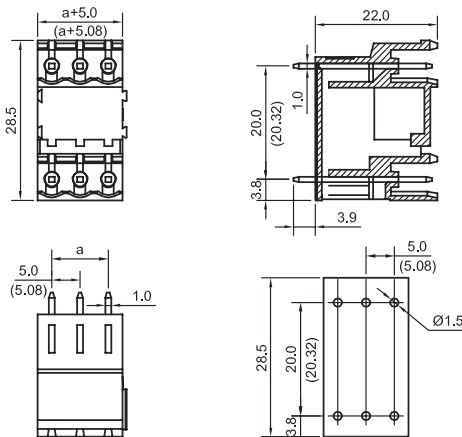
Operation temperature : -40° ~+150°
 Short-time temperature : +250° for 5 sec

Electrical

Rated voltage : 300V
 Rated current : 16A
 Contact resistance : 20m Ω
 Insulation resistance : >5000M Ω DC500V
 Withstanding voltage : AC2000V/1Min



YE220-500M / YE220-508M



P.C.B LAYOUT

Pitch:5.00mm;508mm

Poles: 2~3 poles

Approval:

Material

Policy : Brass, Tin Plated
 Housing : PA66, UL94V-0
 Color : Green

Environmental

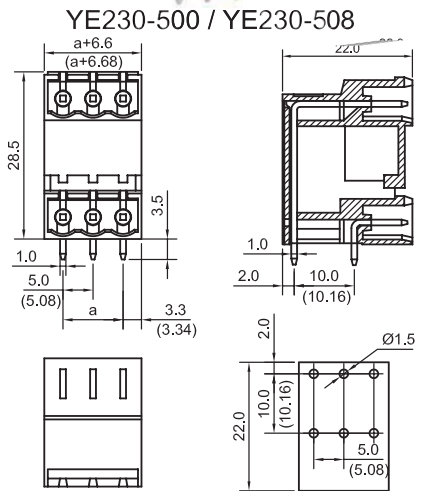
Operation temperature : -40° ~+150°
 Short-time temperature : +250° for 5 sec

Electrical

Rated voltage : 300V
 Rated current : 16A
 Contact resistance : 20m Ω
 Insulation resistance : >5000M Ω DC500V
 Withstanding voltage : AC2000V/1Min



YongXing Terminal Blocks



P.C.B LAYOUT

Pitch:5.00mm;508mm
 Poles: 2~24 poles
 Approval:

Material

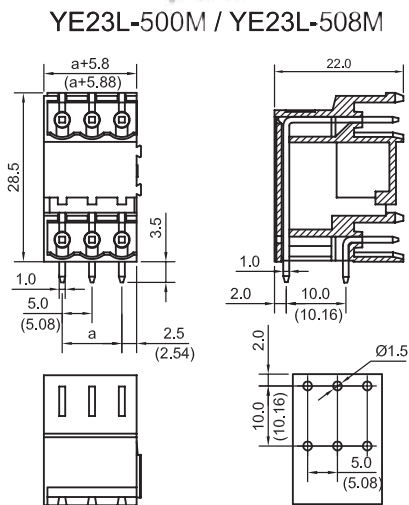
Policy : Brass, Tin Plated
 Housing : PA66, UL94V-0
 Color : Green

Environmental

Operation temperature : -40° ~+150°
 Short-time temperature : +250° for 5 sec

Electrical

Rated voltage : 300V
 Rated current : 16A
 Contact resistance : 20m Ω
 Insulation resistance : >5000MΩ DC500V
 Withstanding voltage : AC2000V/1Min



P.C.B LAYOUT

Pitch:5.00mm;508mm
 Poles: 2~3 poles
 Approval:

Material

Policy : Brass, Tin Plated
 Housing : PA66, UL94V-0
 Color : Green

Environmental

Operation temperature : -40° ~+150°
 Short-time temperature : +250° for 5 sec

Electrical

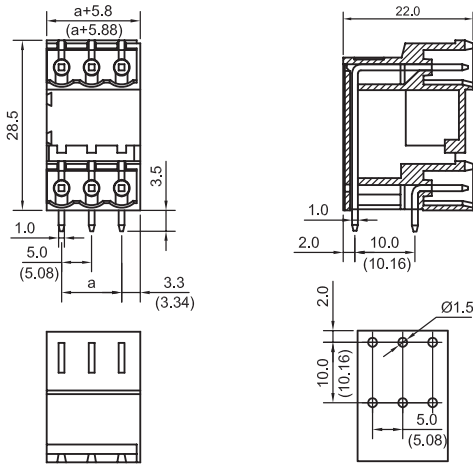
Rated voltage : 300V
 Rated current : 16A
 Contact resistance : 20m Ω
 Insulation resistance : >5000MΩ DC500V
 Withstanding voltage : AC2000V/1Min



YongXing Terminal Blocks



YE23R-500M / YE23R-508M



P.C.B LAYOUT

Pitch:5.00mm;508mm

Poles: 2~3 poles

Approval:

Material

Policy : Brass, Tin Plated
 Housing : PA66, UL94V-0
 Color : Green

Environmental

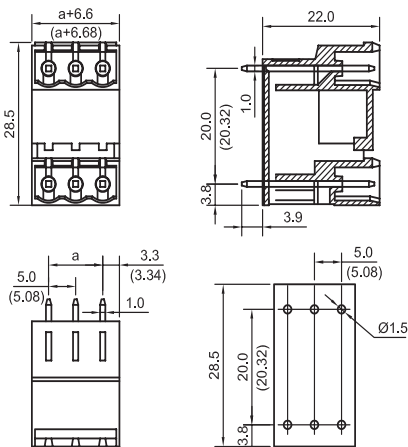
Operation temperature : -40° ~+150°
 Short-time temperature : +250° for 5 sec

Electrical

Rated voltage : 300V
 Rated current : 16A
 Contact resistance : 20m Ω
 Insulation resistance : >5000M Ω DC500V
 Withstanding voltage : AC2000V/1Min



YE240-500 / YE240-508



P.C.B LAYOUT

Pitch:5.00mm;508mm

Poles: 2~24 poles

Approval:

Material

Policy : Brass, Tin Plated
 Housing : PA66, UL94V-0
 Color : Green

Environmental

Operation temperature : -40° ~+150°
 Short-time temperature : +250° for 5 sec

Electrical

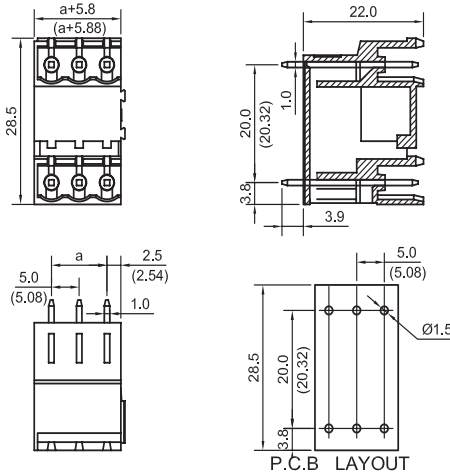
Rated voltage : 300V
 Rated current : 16A
 Contact resistance : 20m Ω
 Insulation resistance : >5000M Ω DC500V
 Withstanding voltage : AC2000V/1Min



YongXing Terminal Blocks



YE24L-500M / YE24L-508M



Pitch: 5.00mm; 508mm
 Poles: 2~3 poles
 Approval:

Material

Policy : Brass, Tin Plated
 Housing : PA66, UL94V-0
 Color : Green

Environmental

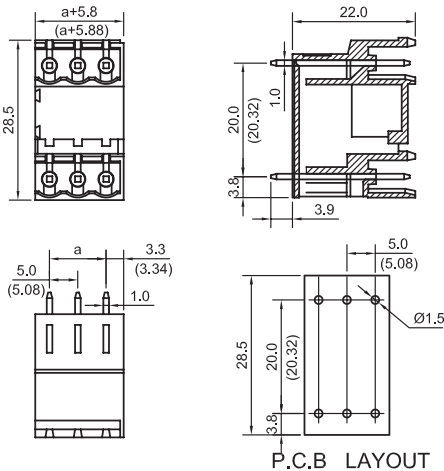
Operation temperature : -40° ~+150°
 Short-time temperature : +250° for 5 sec

Electrical

Rated voltage : 300V
 Rated current : 16A
 Contact resistance : 20m Ω
 Insulation resistance : >5000MΩ DC500V
 Withstanding voltage : AC2000V/1Min



YE24R-500M / YE24R-508M



Pitch: 5.00mm; 508mm
 Poles: 2~3 poles
 Approval:

Material

Policy : Brass, Tin Plated
 Housing : PA66, UL94V-0
 Color : Green

Environmental

Operation temperature : -40° ~+150°
 Short-time temperature : +250° for 5 sec

Electrical

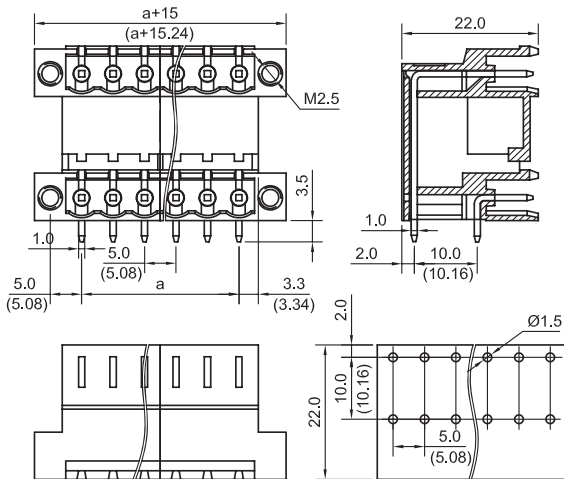
Rated voltage : 300V
 Rated current : 16A
 Contact resistance : 20m Ω
 Insulation resistance : >5000MΩ DC500V
 Withstanding voltage : AC2000V/1Min



YongXing Terminal Blocks



YE250-500 / YE250-508



P.C.B LAYOUT

Pitch:5.00mm;508mm

Poles: 2~24 poles

Approval:

Material

Policy : Brass, Tin Plated
 Housing : PA66, UL94V-0
 Color : Green

Environmental

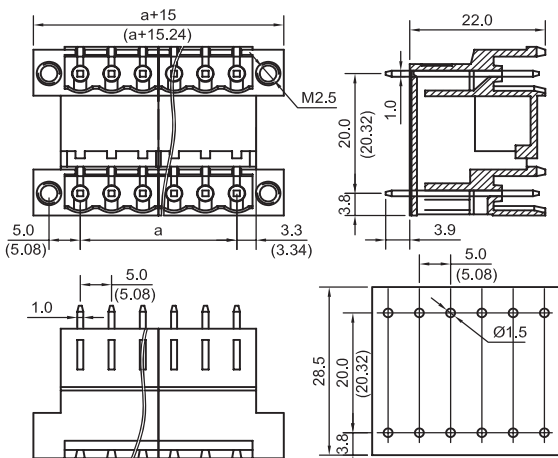
Operation temperature : -40° ~ $+150^{\circ}$
 Short-time temperature : $+250^{\circ}$ for 5 sec

Electrical

Rated voltage : 300V
 Rated current : 16A
 Contact resistance : 20m Ω
 Insulation resistance : $>5000M\Omega$ DC500V
 Withstanding voltage : AC2000V/1Min



YE260-500 / YE260-508



P.C.B LAYOUT

Pitch:5.00mm;508mm

Poles: 2~24 poles

Approval:

Material

Policy : Brass, Tin Plated
 Housing : PA66, UL94V-0
 Color : Green

Environmental

Operation temperature : -40° ~ $+150^{\circ}$
 Short-time temperature : $+250^{\circ}$ for 5 sec

Electrical

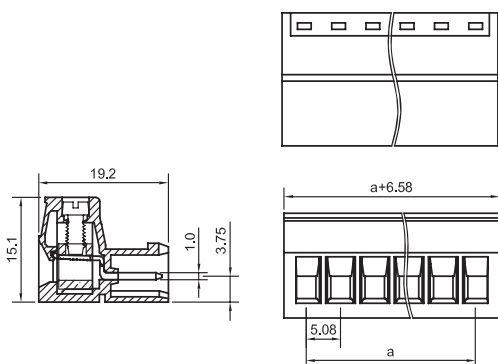
Rated voltage : 300V
 Rated current : 16A
 Contact resistance : 20m Ω
 Insulation resistance : $>5000M\Omega$ DC500V
 Withstanding voltage : AC2000V/1Min



YongXing Terminal Blocks



YE330-508



Pitch:5.08mm
 Poles: 2~24 poles
 Approval:

Material

Care clamp : Brass, Ni Plated
 Contact : Brass, Tin Plated
 Housing : PA66, UL94V-0
 Screws : M3steel Zinc plated
 Color : Green

Environmental

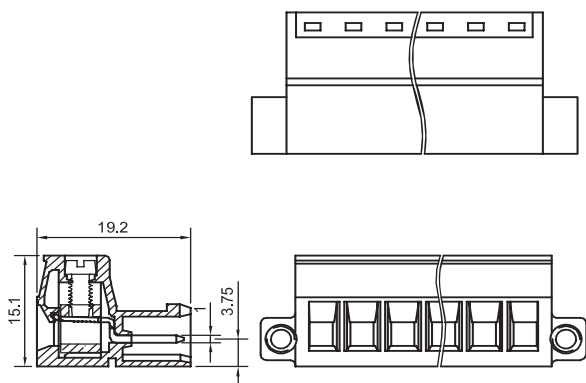
Operation temperature : -40° ~+150°
 Short-time temperature : +250° for 5 sec

Electrical

Rated voltage : 300V
 Rated current : 16A
 Contact resistance : 20m Ω
 Insulation resistance : >5000MΩ DC500V
 Withstanding voltage : AC2000V/1Min
 Wire range : 24-12AWG 2.5mm²
 Strip length : 6-7mm



YE350-508



Pitch:5.08mm
 Poles: 2~24poles
 Approval:

Material

Care clamp : Brass, Ni Plated
 Contact : Brass, Tin Plated
 Housing : PA66, UL94V-0
 Screws : M3steel Zinc plated
 Color : Green

Environmental

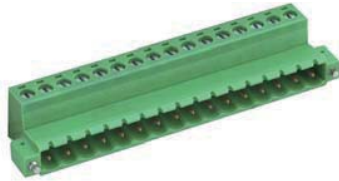
Operation temperature : -40° ~+150°
 Short-time temperature : +250° for 5 sec

Electrical

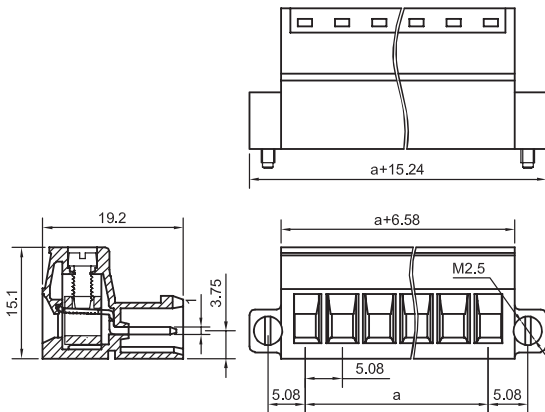
Rated voltage : 300V
 Rated current : 16A
 Contact resistance : 20m Ω
 Insulation resistance : >5000MΩ DC500V
 Withstanding voltage : AC2000V/1Min
 Wire range : 24-12AWG 2.5mm²
 Strip length : 6-7mm



YongXing Terminal Blocks



YE370-508



Pitch: 5.08mm
 Poles: 2~24poles
 Approval:

Material

Care clamp : Brass, Ni Plated
 Contact : Brass, Tin Plated
 Housing : PA66, UL94V-0
 Screws : M3 steel Zinc plated
 Color : Green

Environmental

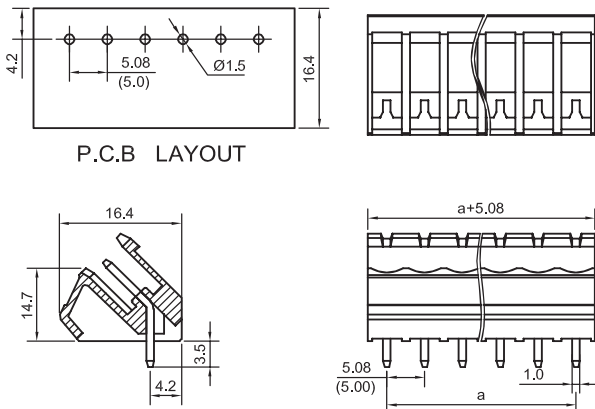
Operation temperature : -40° ~ $+150^{\circ}$
 Short-time temperature : $+250^{\circ}$ for 5 sec

Electrical

Rated voltage : 300V
 Rated current : 16A
 Contact resistance : 20m Ω
 Insulation resistance : $>50000M\Omega$ DC500V
 Withstanding voltage : AC2000V/1Min
 Wire range : 24~12AWG 2.5mm²
 Strip length : 6~7mm



YE510-500 / YE510-508



Pitch: 5.00mm; 5.08mm
 Poles: 2~24poles
 Approval:

Material

Policy : Brass, Tin Plated
 Housing : PA66, UL94V-0
 Color : Green

Environmental

Operation temperature : -40° ~ $+150^{\circ}$
 Short-time temperature : $+250^{\circ}$ for 5 sec

Electrical

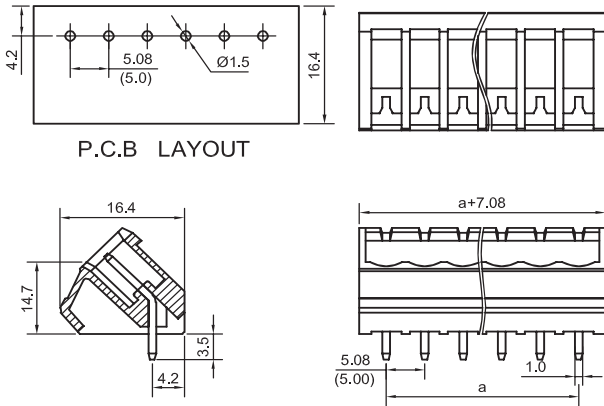
Rated voltage : 300V
 Rated current : 16A
 Contact resistance : 20m Ω
 Insulation resistance : $>50000M\Omega$ DC500V
 Withstanding voltage : AC2000V/1Min



YongXing Terminal Blocks



YE530-500 / YE530-508



Pitch:5.00mm;508mm
 Poles: 2~24 poles
 Approval:

Material

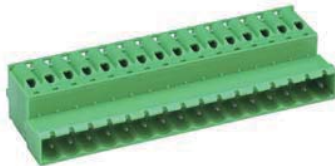
Policy : Brass, Tin Plated
 Housing : PA66, UL94V-0
 Color : Green

Environmental

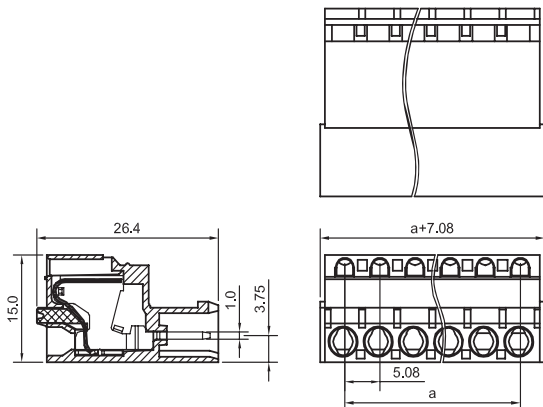
Operation temperature : -40° ~+150°
 Short-time temperature: +250° for 5 sec

Electrical

Rated voltage : 300V
 Rated current : 16A
 Contact resistance : 20m Ω
 Insulation resistance : >5000M Ω DC500V
 Withstanding voltage : AC2000V/1Min



YE630-508



Pitch:5.08mm
 Poles: 2~24poles
 Approval:

Material

Wire protector : Stainless strip steel
 Contact : Brass, Tin Plated
 Housing : PA66, UL94V-0
 Color : Green

Environmental

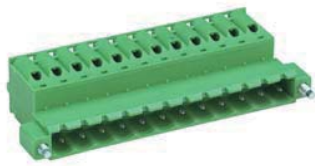
Operation temperature : -40° ~+150°
 Short-time temperature: +250° for 5 sec

Electrical

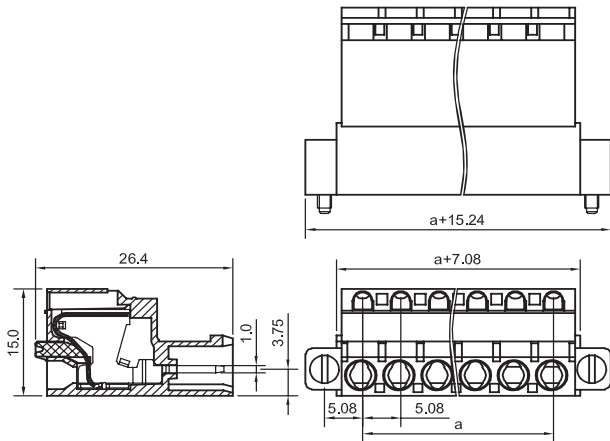
Rated voltage : 300V
 Rated current : 16A
 Contact resistance : 20m Ω
 Insulation resistance : >5000M Ω DC500V
 Withstanding voltage : AC2000V/1Min
 Wire range : 28~12AWG 2.5mm²
 Strip length : 6~7mm



YongXing Terminal Blocks



YE650-508



Pitch: 5.08mm
 Poles: 2~24poles
 Approval:

Material

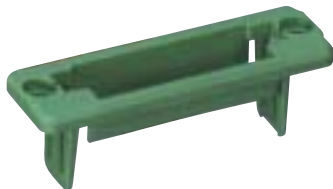
Wire protector : Stainless strip steel
 Contact : Brass, Tin Plated
 Housing : PA66, UL94V-0
 Color : Green

Environmental

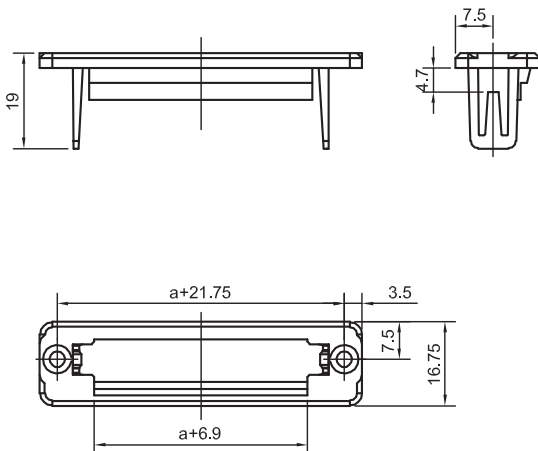
Operation temperature : -40° ~ $+150^{\circ}$
 Short-time temperature : $+250^{\circ}$ for 5 sec

Electrical

Rated voltage : 300V
 Rated current : 16A
 Contact resistance : 20m Ω
 Insulation resistance : $>5000M\Omega$ DC500V
 Withstanding voltage : AC2000V/1Min
 Wire range : 28-12AWG 2.5mm²
 Strip length : 6-7mm

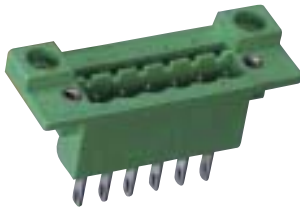


YE350KJ-508

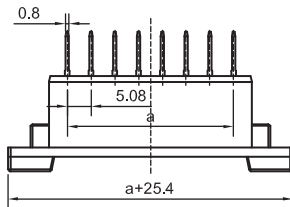
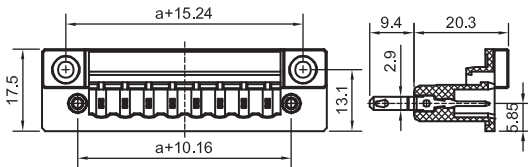




YongXing Terminal Blocks



YE860-508



Pitch:508mm
Poles: 2~24 poles
Approval:

Material

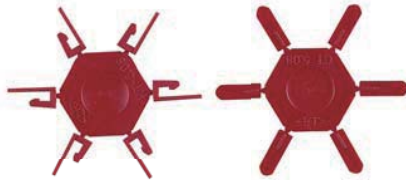
Contact : Brass, Tin Plated
Housing : PA66, UL94V-0
Color : Green

Environmental

Operation temperature : -40° ~+150°
Short-time temperature : +250° for 5 sec

Electrical

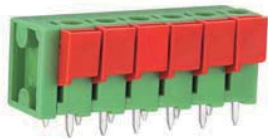
Rated voltage : 300V
Rated current : 16A
Contact resistance : 20m Ω
Insulation resistance : >5000M Ω DC500V
Withstanding voltage : AC2000V/1Min



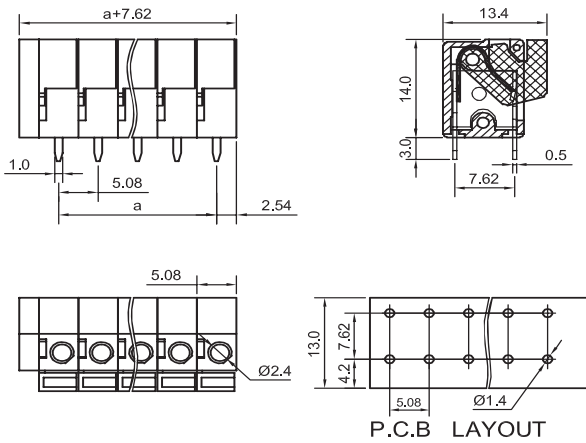
CT-508/KT-508



YongXing Terminal Blocks



YX122-508



Pitch: 5.08mm
 Poles: 2~16 poles
 Approval:

Material

Wire protector : Stainless strip steel
 Contact : Brass, Tin Plated
 Housing : PA66, UL94V-0
 Color : Green

Environmental

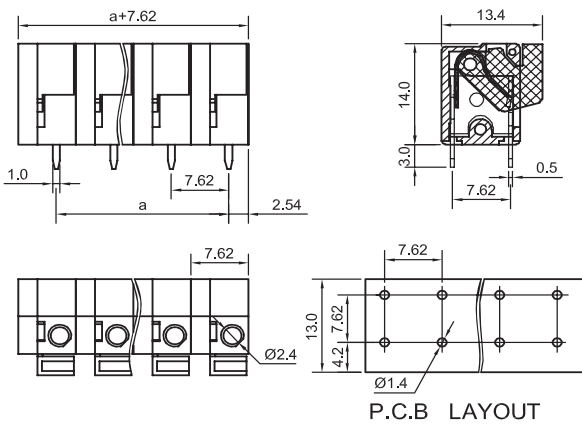
Operation temperature : -40° ~ $+150^{\circ}$
 Short-time temperature : $+250^{\circ}$ for 5 sec

Electrical

Rated voltage : 300V
 Rated current : 10A
 Contact resistance : 20m Ω
 Insulation resistance : $>5000M\Omega$ DC500V
 Withstanding voltage : AC2000V/1Min
 Wire range : 22-14AWG 1.5mm²
 Strip length : 6-7mm



YX122-762



Pitch: 7.62mm
 Poles: 2~16 poles
 Approval:

Material

Wire protector : Stainless strip steel
 Contact : Brass, Tin Plated
 Housing : PA66, UL94V-0
 Color : Green

Environmental

Operation temperature : -40° ~ $+150^{\circ}$
 Short-time temperature : $+250^{\circ}$ for 5 sec

Electrical

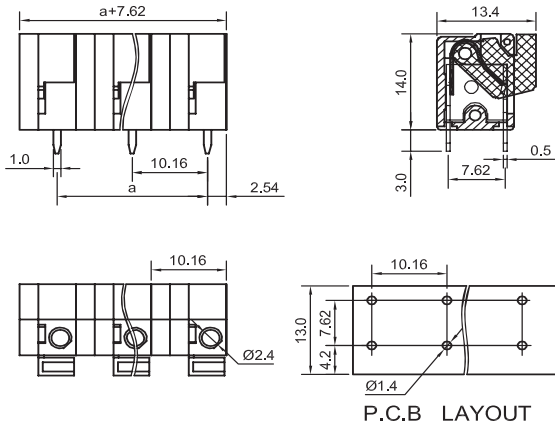
Rated voltage : 300V
 Rated current : 10A
 Contact resistance : 20m Ω
 Insulation resistance : $>5000M\Omega$ DC500V
 Withstanding voltage : AC2000V/1Min
 Wire range : 22-14AWG 1.5mm²
 Strip length : 6-7mm



YongXing Terminal Blocks



YX122-016



Pitch: 10.16mm
 Poles: 2~16 poles
 Approval:

Material

Wire protector : Stainless strip steel
 Contact : Brass, Tin Plated
 Housing : PA66, UL94V-0
 Color : Green

Environmental

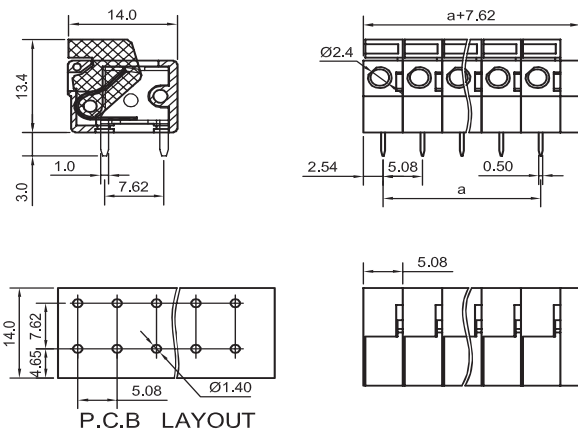
Operation temperature : -40° ~ $+150^{\circ}$
 Short-time temperature : $+250^{\circ}$ for 5 sec

Electrical

Rated voltage : 300V
 Rated current : 10A
 Contact resistance : $20m\ \Omega$
 Insulation resistance : $>5000M\ \Omega$ DC500V
 Withstanding voltage : AC2000V/1Min
 Wire range : 22~14AWG 1.5mm²
 Strip length : 6~7mm



YX222-508



Pitch: 5.08mm
 Poles: 2~16 poles
 Approval:

Material

Wire protector : Stainless strip steel
 Contact : Brass, Tin Plated
 Housing : PA66, UL94V-0
 Color : Green

Environmental

Operation temperature : -40° ~ $+150^{\circ}$
 Short-time temperature : $+250^{\circ}$ for 5 sec

Electrical

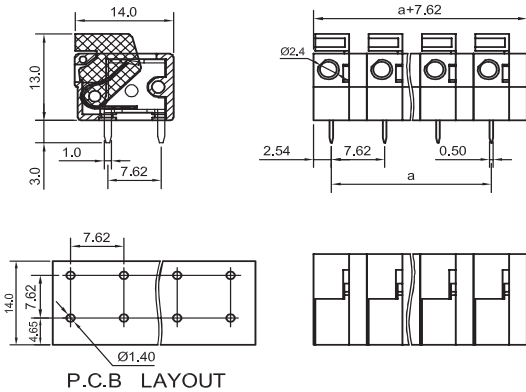
Rated voltage : 300V
 Rated current : 10A
 Contact resistance : $20m\ \Omega$
 Insulation resistance : $>5000M\ \Omega$ DC500V
 Withstanding voltage : AC2000V/1Min
 Wire range : 22~14AWG 1.5mm²
 Strip length : 6~7mm



YongXing Terminal Blocks



YX222-762



Pitch:7.62mm
 Poles: 2~16 poles
 Approval:

Material

Wire protector : Stainless strip steel
 Contact : Brass,Tin Plated
 Housing : PA66, UL94V-0
 Color : Green

Environmental

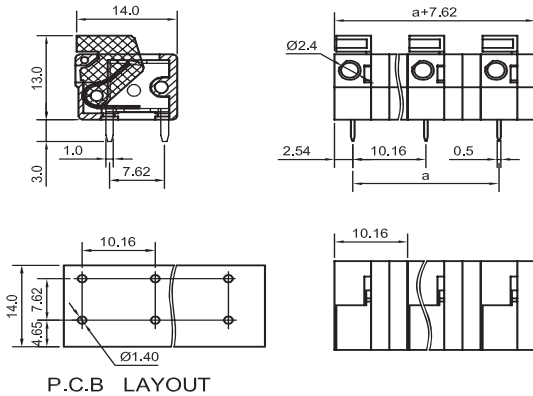
Operation temperature : -40° ~ $+150^{\circ}$
 Short-time temperature : $+250^{\circ}$ for 5 sec

Electrical

Rated voltage : 300V
 Rated current : 10A
 Contact resistance : 20m Ω
 Insulation resistance : $>5000M\Omega$ DC500V
 Withstanding voltage : AC2000V/1Min
 Wire range : 22-14AWG 1.5mm²
 Strip length : 6-7mm



YX222-016



Pitch:10.16mm
 Poles: 2~16 poles
 Approval:

Material

Wire protector : Stainless strip steel
 Contact : Brass,Tin Plated
 Housing : PA66, UL94V-0
 Color : Green

Environmental

Operation temperature : -40° ~ $+150^{\circ}$
 Short-time temperature : $+250^{\circ}$ for 5 sec

Electrical

Rated voltage : 300V
 Rated current : 10A
 Contact resistance : 20m Ω
 Insulation resistance : $>5000M\Omega$ DC500V
 Withstanding voltage : AC2000V/1Min
 Wire range : 22-14AWG 1.5mm²
 Strip length : 6-7mm